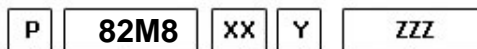
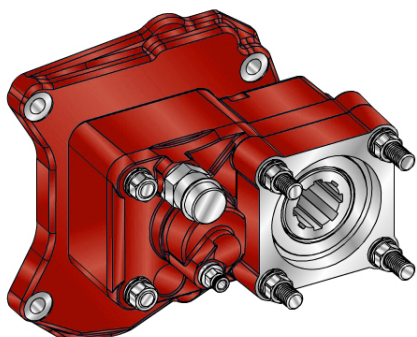




#PTO POS. L. D. MERCEDES G131 G211-12



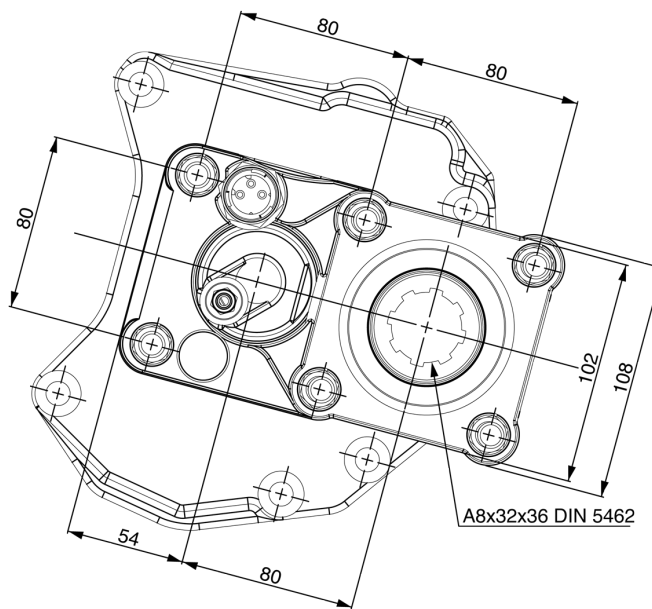
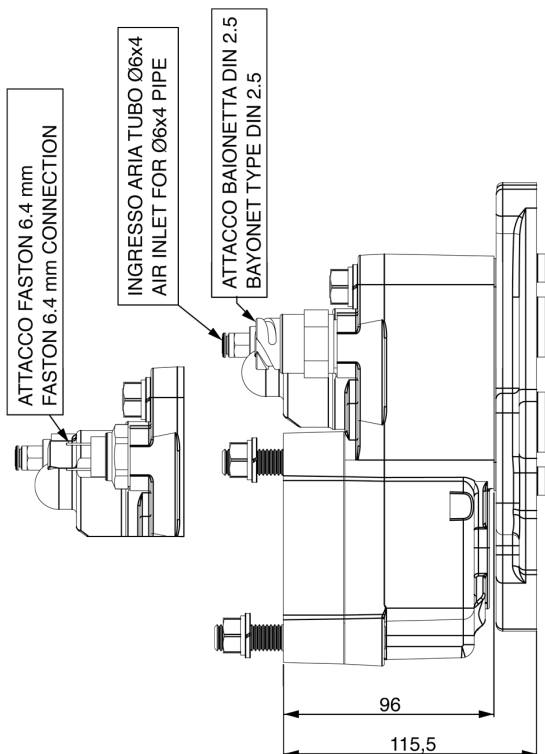
Outlet version
Available option
Control option
Model
PTO

	Output 1		Number of teeth	12
Torque (Nm)	300		Module	3
Int. ratio	1,32		Replace	
Number of axles	2		Replaced by	

15/07/2010

Command type

Electric Hydraulic Mechanical Fixed engagement Pneumatic Vacuum system



VEHICLE MOTION DIRECTION

