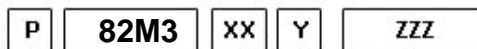
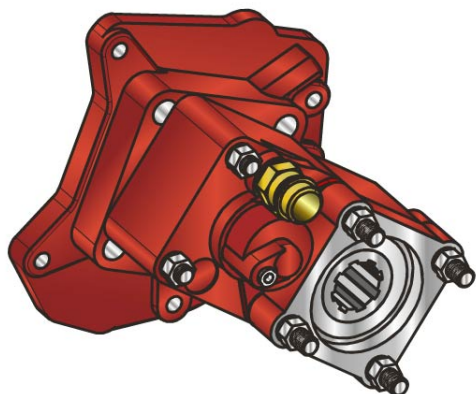




### #PTO POS. L. D. MERCEDES G100 (ATEGO)



Outlet version  
Available option  
Control option  
Model  
PTO

	<b>Output 1</b>	
<b>Torque (Nm)</b>	300	
<b>Int. ratio</b>	1,32	
<b>Number of axles</b>	2	

<b>Number of teeth</b>	12
<b>Module</b>	3
<b>Replace</b>	641
<b>Replaced by</b>	

31/08/2006

### Command type

- Electric    
  Hydraulic    
  Mechanic    
  Fixed engagement    
  Pneumatic    
  Vacuum system

