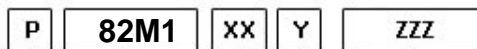
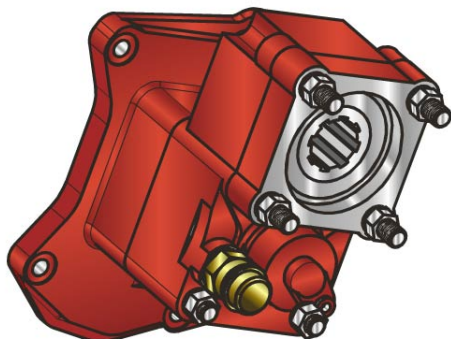




#PTO POS. L. D. MERCEDES G240(ACTROS)



Outlet version
 Available option
 Control option
 Model
 PTO

	Output 1		Number of teeth	12
Torque (Nm)	300		Module	3
Int. ratio	1,32		Replace	634
Number of axles	2		Replaced by	

31/08/2006

Command type

Electric Hydraulic Mechanical Fixed engagement Pneumatic Vacuum system

