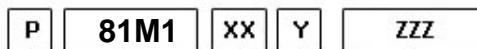
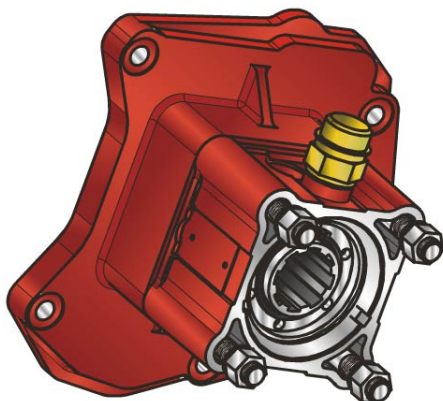




#PTO POS. H. D. MERCEDES G240(ACTROS)



Outlet version
Available option
Control option
Model
PTO

	Output 1	
Torque (Nm)	700	
Int. ratio	1	
Number of axles	1	

Number of teeth	12
Module	3
Replace	633
Replaced by	

22/06/2016

Command type

Electric Hydraulic Mechanical Fixed engagement Pneumatic Vacuum system

