

Outlet version  
 Available option  
 Control option  
 Model  
 PTO

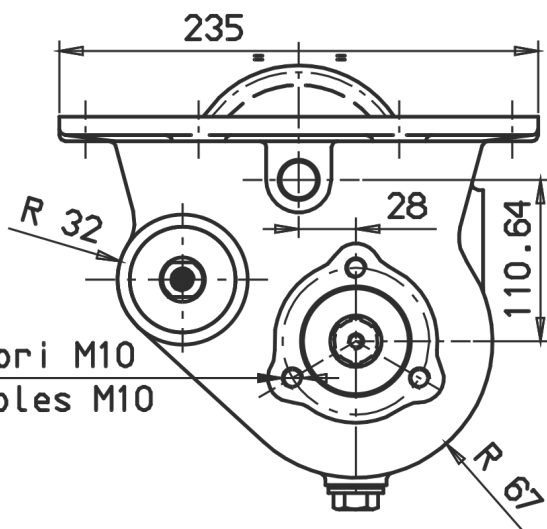
	<b>Output 1</b>	
<b>Torque (Nm)</b>	250	
<b>Int. ratio</b>	1,529	
<b>Number of axles</b>	2	

<b>Number of teeth</b>	17
<b>Module</b>	4,5
<b>Replace</b>	
<b>Replaced by</b>	

23/01/2018

### Command type

Electric       Hydraulic       Mechanical       Fixed engagement       Pneumatic       Vacuum system



N°3 Fori M10  
 N°3 Holes M10

