

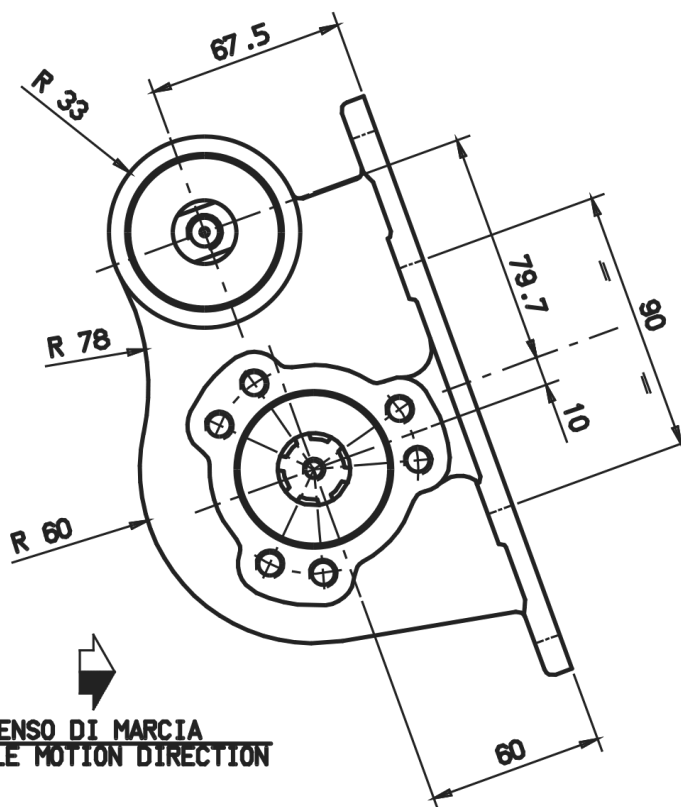
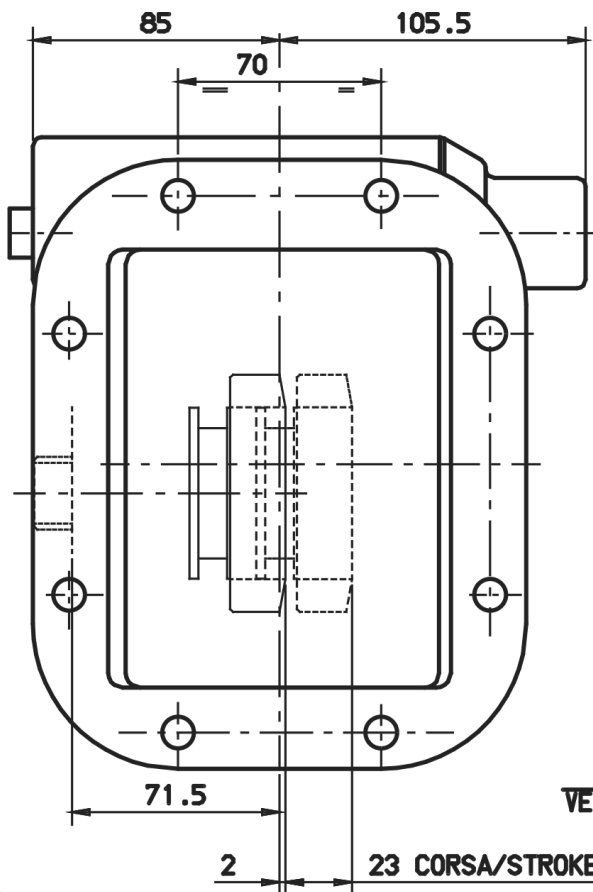
Outlet version
Available option
Control option
Model
PTO

	Output 1		Number of teeth	20
Torque (Nm)	250		Module	4,5
Int. ratio	1		Replace	
Number of axles	1		Replaced by	

12/04/2010

Command type

Electric Hydraulic Mechanical Fixed engagement Pneumatic Vacuum system



SENSO DI MARCIA
VEHICLE MOTION DIRECTION

