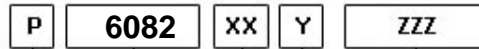
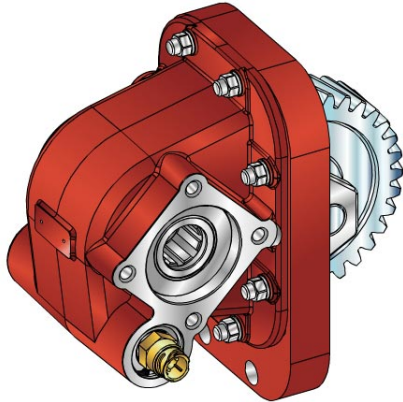




### #PTO LAT. H. D. ISUZU MJX16P



Outlet version  
Available option  
Control option  
Model  
PTO

	<b>Output 1</b>		<b>Number of teeth</b>	33
<b>Torque (Nm)</b>	450		<b>Module</b>	4,5
<b>Int. ratio</b>	1,57		<b>Replace</b>	
<b>Number of axles</b>	2		<b>Replaced by</b>	

04/10/2007

### Command type

Electric     Hydraulic     Mechanical     Fixed engagement     Pneumatic     Vacuum system

