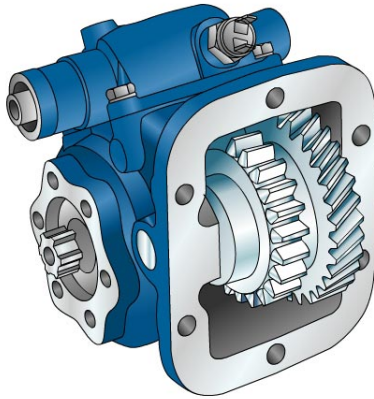




# PZB®

D01P-0-03 - Pagina WebPTO PZB - rev. 0

# 51672



51672	XX	Y	ZZZ
-------	----	---	-----

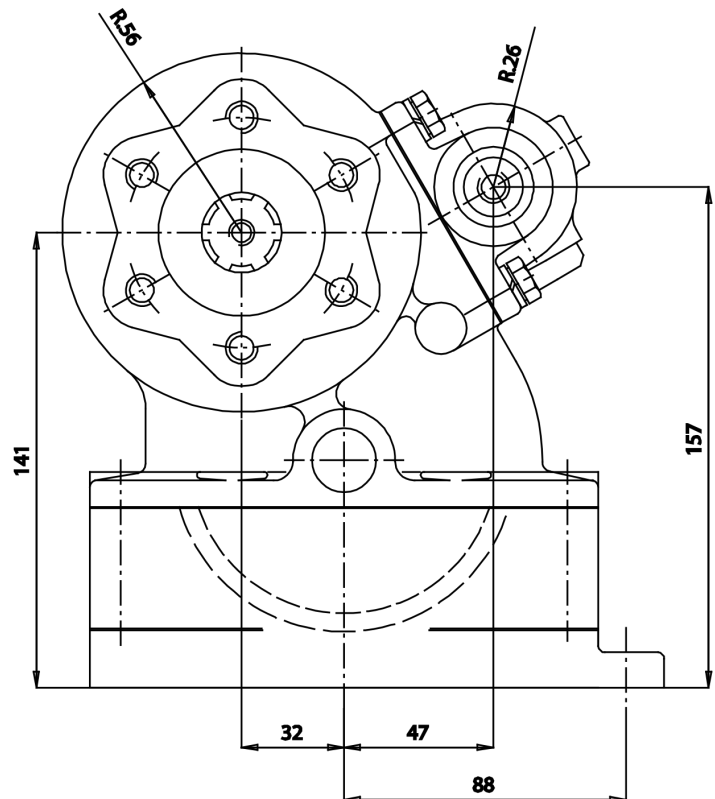
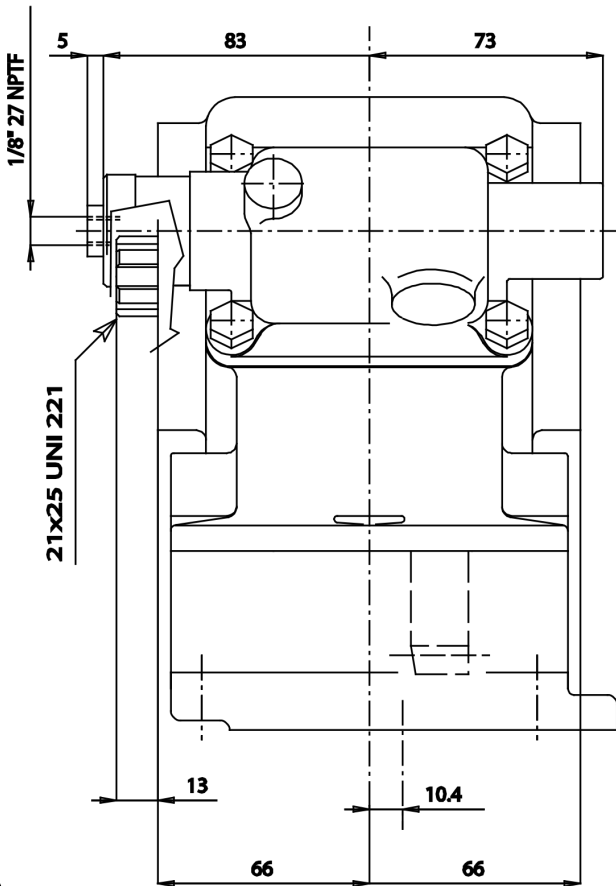
Outlet version  
Available option  
Control option  
Model

	<b>Output 1</b>		<b>Number of teeth</b>	21
<b>Torque (Nm)</b>	250		<b>Module</b>	4,5
<b>Int. ratio</b>	1,91		<b>Replace</b>	
<b>Number of axles</b>	2		<b>Replaced by</b>	

18/10/2006

### Command type

- |   |   |  |
|---|---|--|
| <input checked="" type="checkbox"/> Mechanical with lever remote control (TC) | <input type="checkbox"/> Hydraulic control      | <input type="checkbox"/> Pneumatic                             |
| <input type="checkbox"/> Ready for electric solenoid control                  | <input type="checkbox"/> Depressure control     | <input type="checkbox"/> Constantly engaged                    |
| <input type="checkbox"/> Mechanical with PUSH-PULL remote control             | <input type="checkbox"/> Electric control KES 5 | <input checked="" type="checkbox"/> Ready for detached control |



Interpump Hydraulics Spa a socio unico - **Business Unit PZB**

Sede Legale: via A. Mingozzi, 6 • 40012 Calderara di Reno BO - Italy

Sede Operativa: via A. Mingozzi, 6 • 40012 Calderara di Reno BO - Italy • T +39 051 6460511 • F +39 051 6460560 • info@pzbitaly.com • pzbitaly.com

Cap. Soc. Euro 2.631.600,00 i.v. • N. Mecc. BO 056383 • R.E.A. BO 444225 • C.F. 00883010241 • P.Iva IT02128140361

Soggetta ad attività di Direzione e Coordinamento da parte di Interpump Group Spa

