



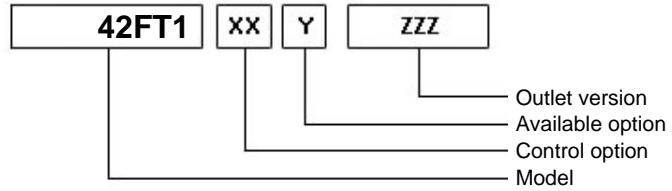
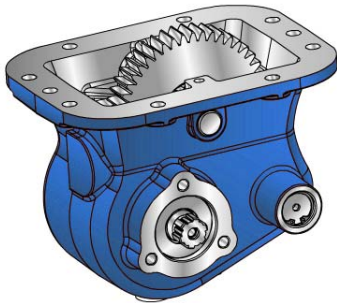
# PZB®

D01P-0-03 - Pagina WebPTO PZB - rev. 0

## 42FT1



### #PTO LAT. L. D. FTS/ET

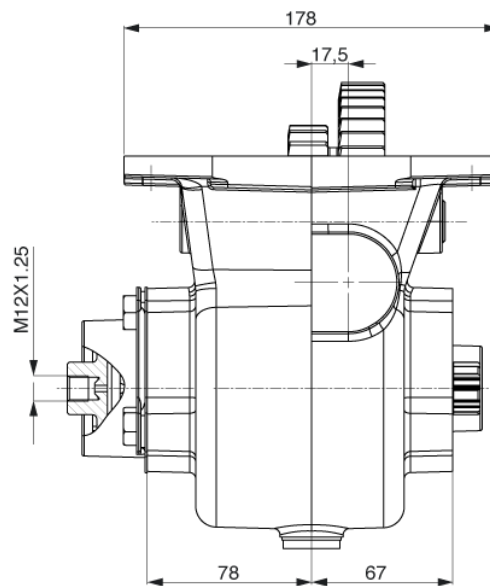
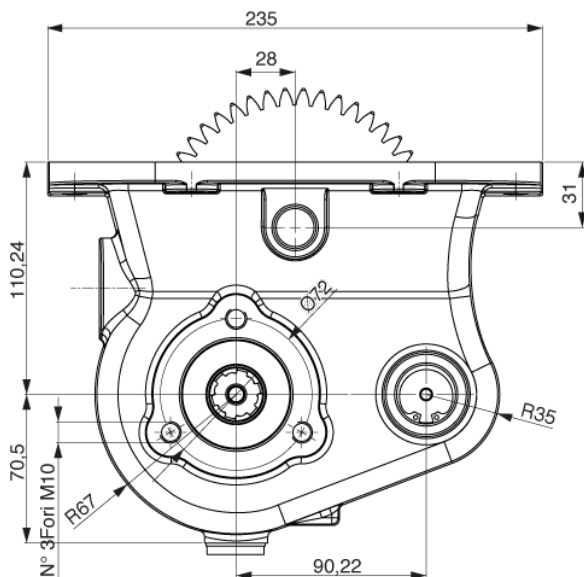


	<b>Output 1</b>		<b>Number of teeth</b>	47
<b>Torque (Nm)</b>	250		<b>Module</b>	2,61
<b>Int. ratio</b>	1		<b>Replace</b>	
<b>Number of axles</b>	2		<b>Replaced by</b>	

05/03/2012

### Command type

- Mechanical with lever remote control (TC)
- Ready for electric solenoid control
- Mechanical with PUSH-PULL remote control
- Hydraulic control
- Depressure control
- Electric control KES 5
- Pneumatic
- Constantly engaged
- Ready for detached control



VEHICLE MOTION DIRECTION

