



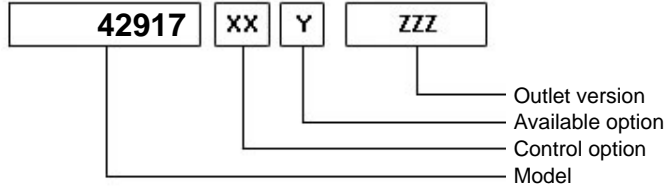
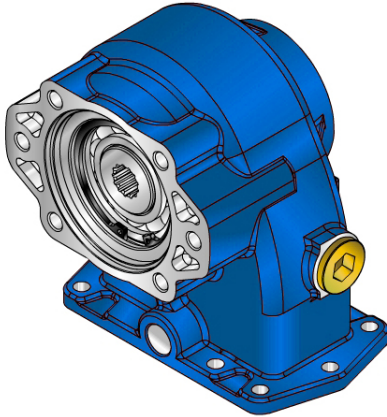
PZB®

D01P-0-03 - Pagina WebPTO PZB - rev. 0

42917



#PTO SEMPRE IN PRESA ALLISON WORLD TRANSMISSION HD-MD

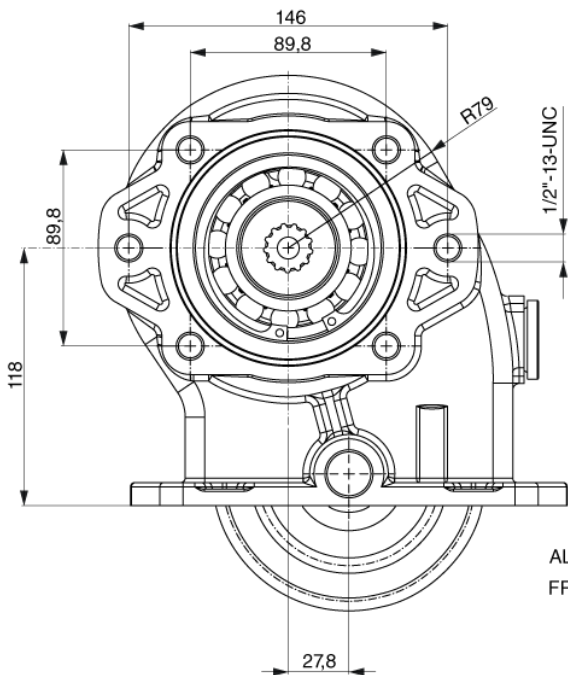


	Output 1		Number of teeth	44
Torque (Nm)	450		Module	2,5
Int. ratio	0,68		Replace	
Number of axles	2		Replaced by	

21/01/2013

Command type

- Mechanical with lever remote control (TC)
- Ready for electric solenoid control
- Mechanical with PUSH-PULL remote control
- Hydraulic control
- Depressure control
- Electric control KES 5
- Pneumatic
- Constantly engaged
- Ready for detached control



AL CAMBIO
FROM G.BOX

