

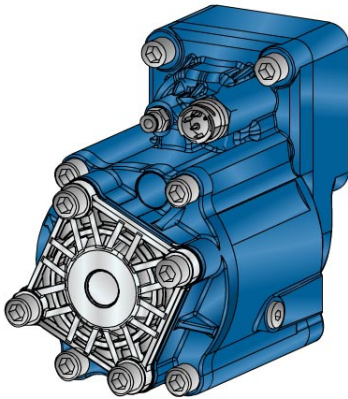


# PZB®

# 427Z7



## #PTO POS. M. D. Z.F 5.35 - 6.36



**427Z7** **XX** **Y** **ZZZ**

Outlet version  
Available option  
Control option  
Model

	<b>Output 1</b>		<b>Number of teeth</b>	12
<b>Torque (Nm)</b>	450		<b>Module</b>	3
<b>Int. ratio</b>	1,33		<b>Replace</b>	
<b>Number of axles</b>	2		<b>Replaced by</b>	

15/09/2006

### Command type

- Mechanical with lever remote control (TC)
- Ready for electric solenoid control
- Mechanical with PUSH-PULL remote control
- Hydraulic control
- Depressure control
- Electric control KES 5
- Pneumatic
- Constantly engaged
- Ready for detached control

