



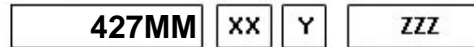
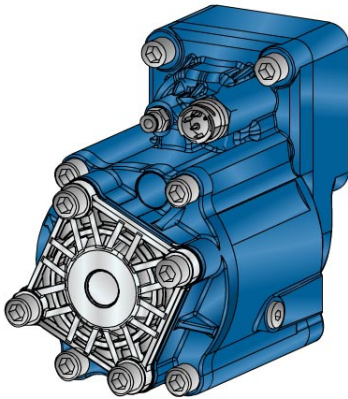
PZB®

D01P-0-03 - Pagina WebPTO PZB - rev. 0

427MM



##PTO POS. M. D. MERCEDES G60-G85



Outlet version
 Available option
 Control option
 Model

	Output 1	
Torque (Nm)	450	
Int. ratio	1,33	
Number of axles	2	

Number of teeth	17
Module	2
Replace	
Replaced by	

18/09/2006

Command type

- | | | |
|--|---|---|
| <input type="checkbox"/> Mechanical with lever remote control (TC) | <input type="checkbox"/> Hydraulic control | <input type="checkbox"/> Pneumatic |
| <input type="checkbox"/> Ready for electric solenoid control | <input type="checkbox"/> Depressure control | <input type="checkbox"/> Constantly engaged |
| <input type="checkbox"/> Mechanical with PUSH-PULL remote control | <input type="checkbox"/> Electric control KES 5 | <input type="checkbox"/> Ready for detached control |

