



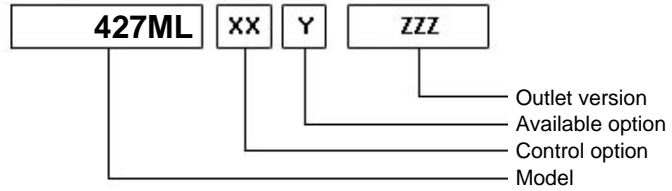
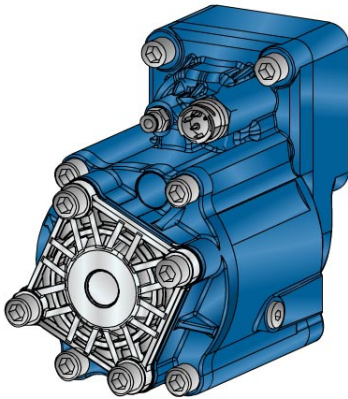
PZB®

D01P-0-03 - Pagina WebPTO PZB - rev. 0

427ML



##PTO POS. M. D. MERCEDES G60-G85



	Output 1		Number of teeth	17
Torque (Nm)	400		Module	2
Int. ratio	1,58		Replace	
Number of axles	2		Replaced by	

18/09/2006

Command type

- | | | |
|--|---|---|
| <input type="checkbox"/> Mechanical with lever remote control (TC) | <input type="checkbox"/> Hydraulic control | <input type="checkbox"/> Pneumatic |
| <input type="checkbox"/> Ready for electric solenoid control | <input type="checkbox"/> Depressure control | <input type="checkbox"/> Constantly engaged |
| <input type="checkbox"/> Mechanical with PUSH-PULL remote control | <input type="checkbox"/> Electric control KES 5 | <input type="checkbox"/> Ready for detached control |

