



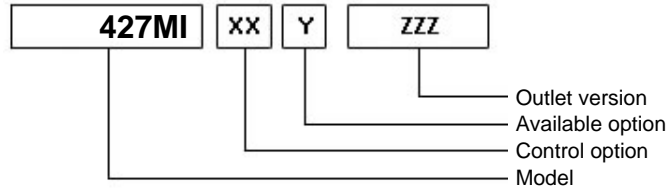
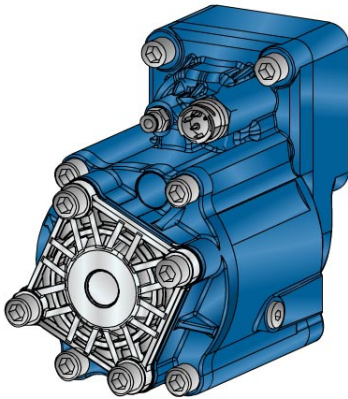
# PZB®

D01P-0-03 - Pagina WebPTO PZB - rev. 0

## 427MI



### ##PTO POS. M. D. MERCEDES G60-G85



	<b>Output 1</b>		<b>Number of teeth</b>	17
<b>Torque (Nm)</b>	350		<b>Module</b>	2
<b>Int. ratio</b>	1,8		<b>Replace</b>	
<b>Number of axles</b>	2		<b>Replaced by</b>	

18/09/2006

### Command type

- Mechanical with lever remote control (TC)
- Ready for electric solenoid control
- Mechanical with PUSH-PULL remote control
- Hydraulic control
- Depressure control
- Electric control KES 5
- Pneumatic
- Constantly engaged
- Ready for detached control

