



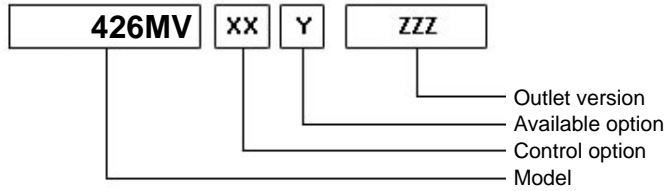
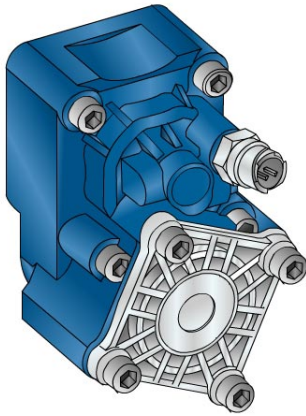
PZB®

D01P-0-03 - Pagina WebPTO PZB - rev. 0

426MV



#PTO POS. M. D. MERCEDES G211



	Output 1		Number of teeth	12
Torque (Nm)	500		Module	3
Int. ratio	0,92		Replace	
Number of axles	2		Replaced by	

Command type

- | | | |
|--|---|---|
| <input type="checkbox"/> Mechanical with lever remote control (TC) | <input type="checkbox"/> Hydraulic control | <input type="checkbox"/> Pneumatic |
| <input type="checkbox"/> Ready for electric solenoid control | <input type="checkbox"/> Depressure control | <input type="checkbox"/> Constantly engaged |
| <input type="checkbox"/> Mechanical with PUSH-PULL remote control | <input type="checkbox"/> Electric control KES 5 | <input type="checkbox"/> Ready for detached control |

