



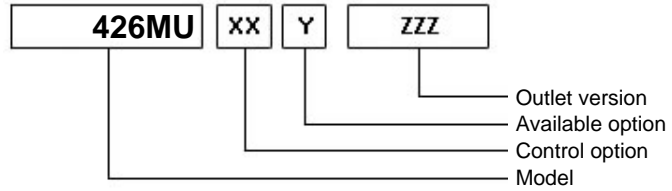
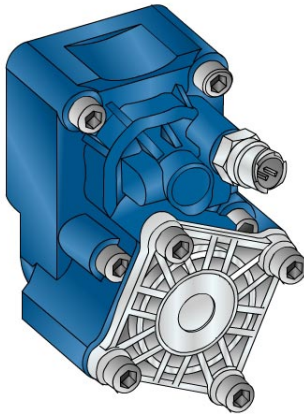
PZB®

D01P-0-03 - Pagina WebPTO PZB - rev. 0

426MU



#PTO POS. M. D. MERCEDES G211



	Output 1		Number of teeth	12
Torque (Nm)	450		Module	3
Int. ratio	1,33		Replace	
Number of axles	2		Replaced by	

Command type

- Mechanical with lever remote control (TC)
- Ready for electric solenoid control
- Mechanical with PUSH-PULL remote control
- Hydraulic control
- Depressure control
- Electric control KES 5
- Pneumatic
- Constantly engaged
- Ready for detached control

