



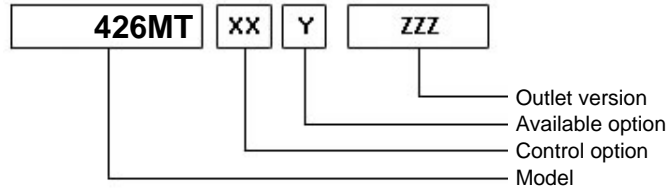
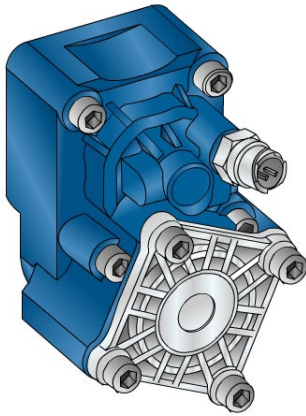
# PZB®

D01P-0-03 - Pagina WebPTO PZB - rev. 0

## 426MT



### #PTO POS. M. D. MERCEDES G211



|                        |                 |  |                        |    |
|------------------------|-----------------|--|------------------------|----|
|                        | <b>Output 1</b> |  | <b>Number of teeth</b> | 12 |
| <b>Torque (Nm)</b>     | 400             |  | <b>Module</b>          | 3  |
| <b>Int. ratio</b>      | 1,58            |  | <b>Replace</b>         |    |
| <b>Number of axles</b> | 2               |  | <b>Replaced by</b>     |    |

### Command type

- Mechanical with lever remote control (TC)
- Ready for electric solenoid control
- Mechanical with PUSH-PULL remote control
- Hydraulic control
- Depressure control
- Electric control KES 5
- Pneumatic
- Constantly engaged
- Ready for detached control

