



**PTO**  
*PTO*



**PTO / Series BE**

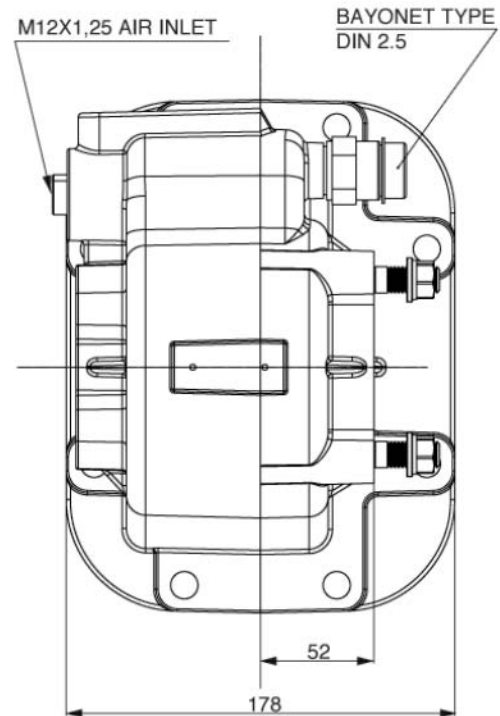
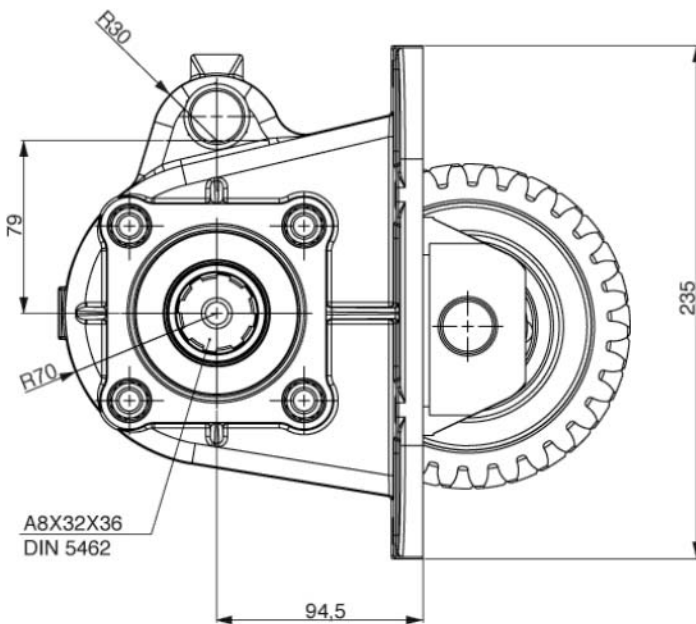
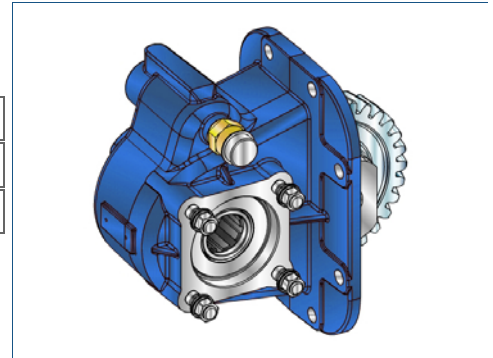
42543	XX	Y	ZZZ
			Outlet version
			Available option
			Control option

PTO

# 42543

# PTO

	<b>Output 1</b>	
<b>Torque (Nm)</b>	450	
<b>Int. ratio</b>	1,579	



VEHICLE MOTION DIRECTION