



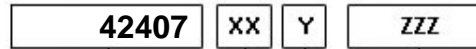
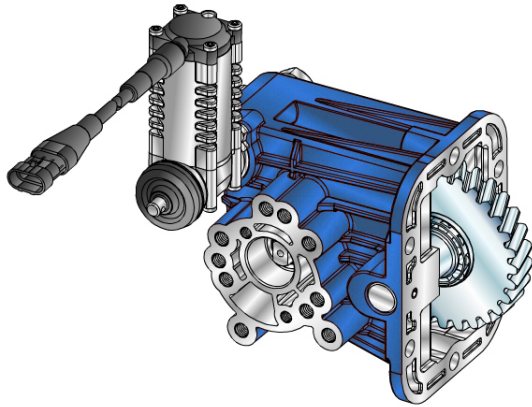
PZB®

D01P-0-03 - Pagina WebPTO PZB - rev. 0

42407



#PTO LATERALE L.D. PER CAMBI ZF 6S 420



Outlet version
Available option
Control option
Model

	Output 1	
Torque (Nm)	90	
Int. ratio	2,2	
Number of axles	2	

Number of teeth	33
Module	2,85
Replace	
Replaced by	

29/09/2016

Command type

- | | | |
|-------------------------------------------------------------------------------|------------------------------------------------------------|-----------------------------------------------------|
| <input checked="" type="checkbox"/> Mechanical with lever remote control (TC) | <input type="checkbox"/> Hydraulic control | <input type="checkbox"/> Pneumatic |
| <input type="checkbox"/> Ready for electric solenoid control | <input type="checkbox"/> Depressure control | <input type="checkbox"/> Constantly engaged |
| <input type="checkbox"/> Mechanical with PUSH-PULL remote control | <input checked="" type="checkbox"/> Electric control KES 5 | <input type="checkbox"/> Ready for detached control |

