



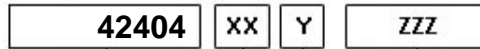
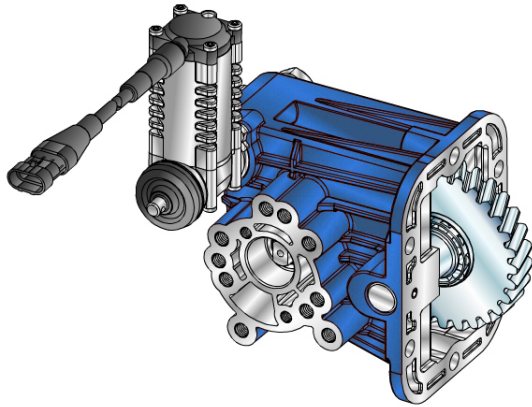
# PZB®

D01P-0-03 - Pagina WebPTO PZB - rev. 0

## 42404



### PTO LATERALE L.D. PER CAMBIO IVECO 2840.6FL11



Outlet version  
Available option  
Control option  
Model

	<b>Output 1</b>	
<b>Torque (Nm)</b>	90	
<b>Int. ratio</b>	1,7	
<b>Number of axles</b>	2	

<b>Number of teeth</b>	34
<b>Module</b>	2,45
<b>Replace</b>	
<b>Replaced by</b>	

24/09/2014

### Command type

- |   |  |   |
|---|--|---|
| <input checked="" type="checkbox"/> Mechanical with lever remote control (TC) | <input type="checkbox"/> Hydraulic control                 | <input type="checkbox"/> Pneumatic                  |
| <input type="checkbox"/> Ready for electric solenoid control                  | <input type="checkbox"/> Depressure control                | <input type="checkbox"/> Constantly engaged         |
| <input type="checkbox"/> Mechanical with PUSH-PULL remote control             | <input checked="" type="checkbox"/> Electric control KES 5 | <input type="checkbox"/> Ready for detached control |

