



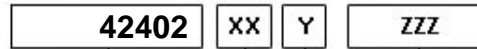
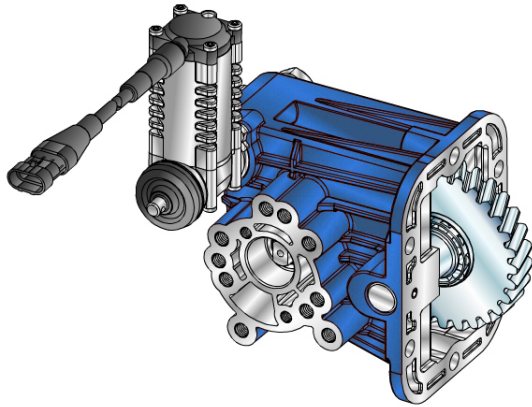
PZB®

D01P-0-03 - Pagina WebPTO PZB - rev. 0

42402



PTO LATERALE L.D. PER CAMBIO NISSAN M5-40A



Outlet version
Available option
Control option
Model

	Output 1		Number of teeth	30
Torque (Nm)	90		Module	3
Int. ratio	2,3		Replace	
Number of axles	2		Replaced by	

19/02/2015

Command type

- | | | |
|---|--|---|
| <input checked="" type="checkbox"/> Mechanical with lever remote control (TC) | <input type="checkbox"/> Hydraulic control | <input type="checkbox"/> Pneumatic |
| <input type="checkbox"/> Ready for electric solenoid control | <input type="checkbox"/> Depressure control | <input type="checkbox"/> Constantly engaged |
| <input type="checkbox"/> Mechanical with PUSH-PULL remote control | <input checked="" type="checkbox"/> Electric control KES 5 | <input type="checkbox"/> Ready for detached control |

