



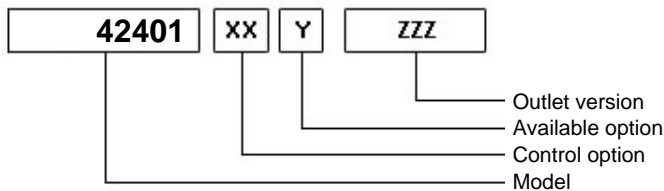
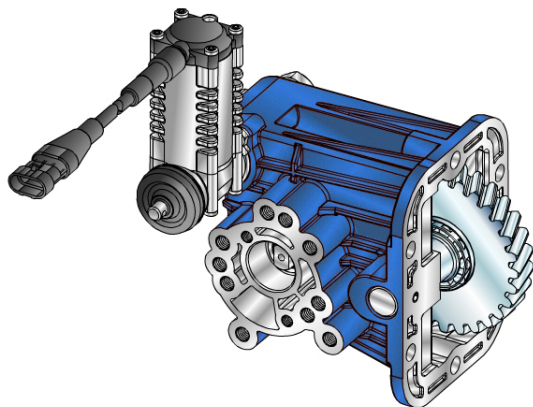
# PZB®

D01P-0-03 - Pagina WebPTO PZB - rev. 0

## 42401



### PTO LATERALE L.D. PER CAMBIO NISSAN M5-35A



	<b>Output 1</b>		<b>Number of teeth</b>	29
<b>Torque (Nm)</b>	90		<b>Module</b>	3
<b>Int. ratio</b>	1,93		<b>Replace</b>	
<b>Number of axles</b>	2		<b>Replaced by</b>	

19/02/2015

### Command type

- [X] Mechanical with lever remote control (TC)
- [ ] Ready for electric solenoid control
- [ ] Mechanical with PUSH-PULL remote control
- [ ] Hydraulic control
- [ ] Depressure control
- [X] Electric control KES 5
- [ ] Pneumatic
- [ ] Constantly engaged
- [ ] Ready for detached control

