



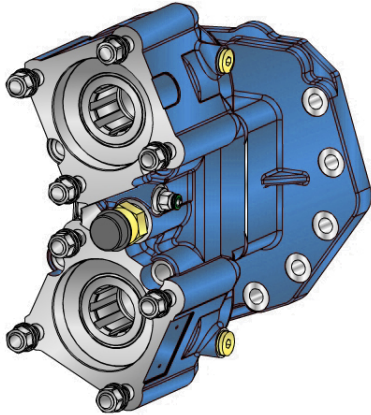
PZB®

D01P-0-03 - Pagina WebPTO PZB - rev. 0

423MT



#PTO POS. M. D. D.U. MERCEDES G211



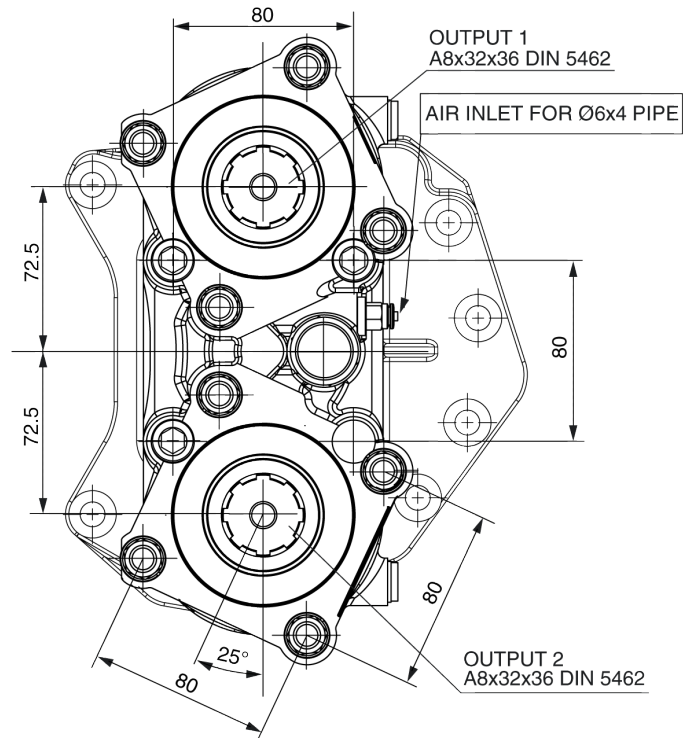
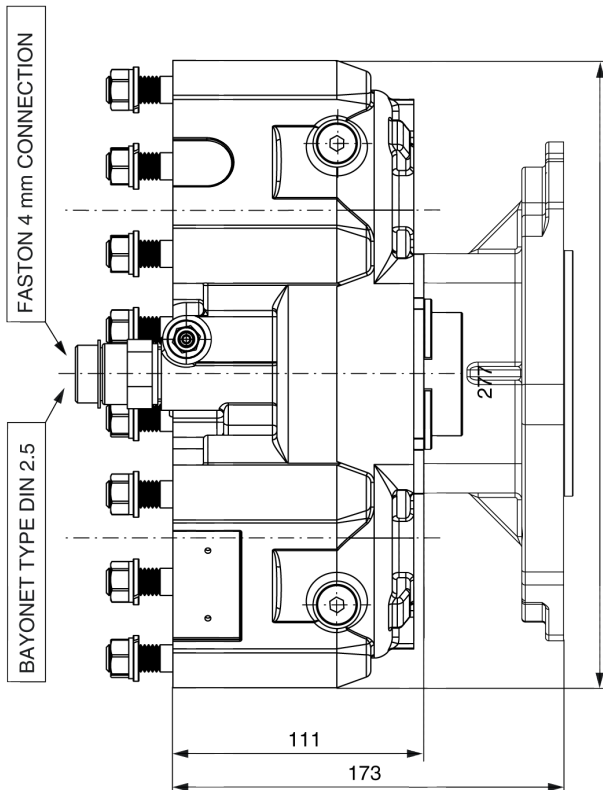
423MT **XX** **Y** **K** **Z1** **Z2**

- Outlet version
- Outlet control option
- Available option
- Control option
- Model

	Output 1	Output 2	Number of teeth	12
Torque (Nm)	400	400	Module	3
Int. ratio	1,58	1,58	Replace	
Number of axles	2	2	Replaced by	

Command type

- | | | |
|--|---|--|
| <input type="checkbox"/> Mechanical with lever remote control (TC) | <input type="checkbox"/> Hydraulic control | <input type="checkbox"/> Pneumatic |
| <input type="checkbox"/> Ready for electric solenoid control | <input type="checkbox"/> Depressure control | <input checked="" type="checkbox"/> Constantly engaged |
| <input type="checkbox"/> Mechanical with PUSH-PULL remote control | <input type="checkbox"/> Electric control KES 5 | <input type="checkbox"/> Ready for detached control |



VEHICLE MOTION DIRECTION

