



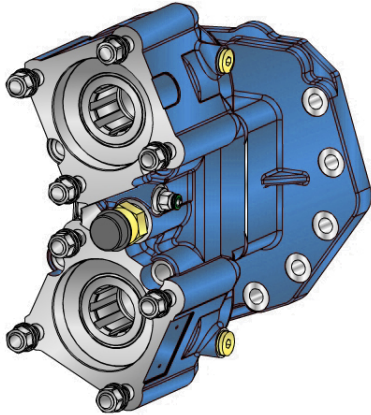
PZB®

D01P-0-03 - Pagina WebPTO PZB - rev. 0

423M2



#PTO POS. M. D. D.U. MERCEDES G240 (ACTROS)



423M2 **XX** **Y** **K** **Z1** **Z2**

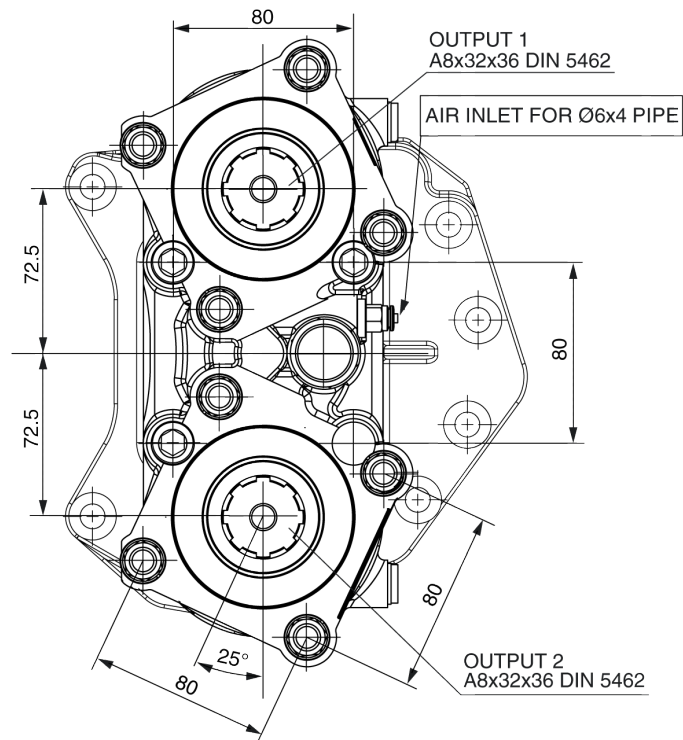
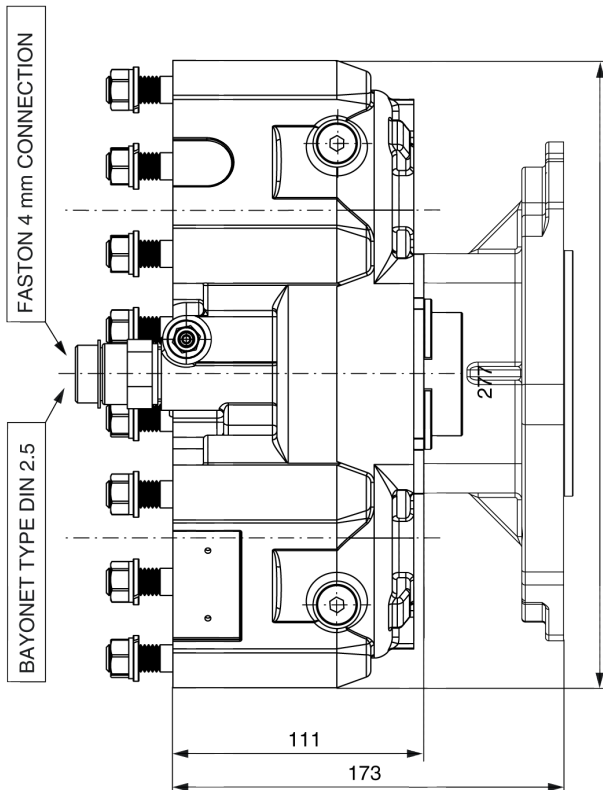
- Outlet version
- Outlet control option
- Available option
- Control option
- Model

	Output 1	Output 2	Number of teeth	12
Torque (Nm)	400	400	Module	3
Int. ratio	1,58	1,58	Replace	
Number of axles	2	2	Replaced by	

15/02/2011

Command type

- Mechanical with lever remote control (TC)
- Hydraulic control
- Pneumatic
- Ready for electric solenoid control
- Depressure control
- Constantly engaged
- Mechanical with PUSH-PULL remote control
- Electric control KES 5
- Ready for detached control



VEHICLE MOTION DIRECTION

Interpump Hydraulics Spa a socio unico - **Business Unit PZB**

Sede Legale: via A. Mingozzi, 6 • 40012 Calderara di Reno BO - Italy

Sede Operativa: via A. Mingozzi, 6 • 40012 Calderara di Reno BO - Italy • T +39 051 6460511 • F +39 051 6460560 • info@pzbitaly.com • pzbitaly.com

Cap. Soc. Euro 2.631.600,00 i.v. • N. Mecc. BO 056383 • R.E.A. BO 444225 • C.F. 00883010241 • P.Iva IT02128140361

Soggetta ad attività di Direzione e Coordinamento da parte di Interpump Group Spa

