



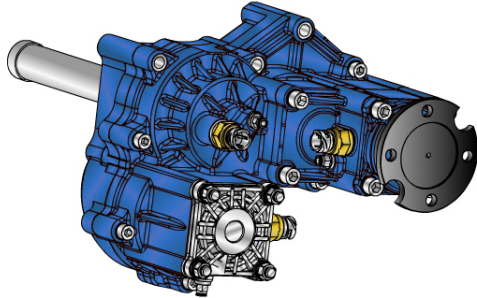
PZB®

D01P-0-03 - Pagina WebPTO PZB - rev. 0

421VD



#PTO POS. H. D. D.U. VOLVO VT CON RETARDER



421VD **XX** **Y** **K** **Z1** **Z2**

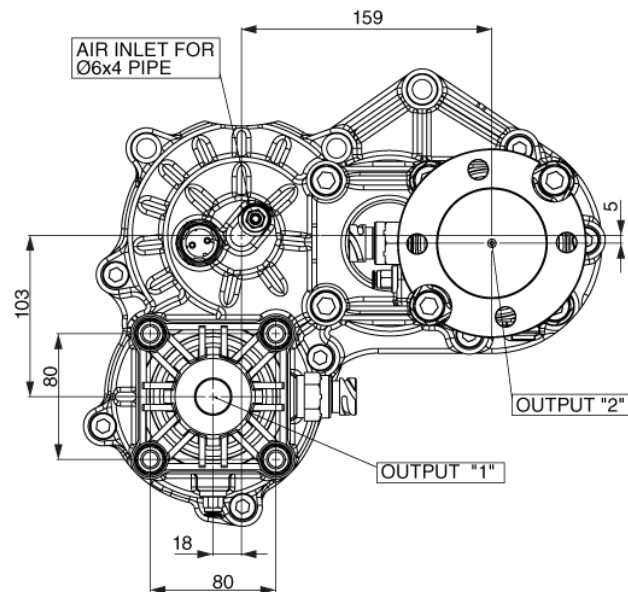
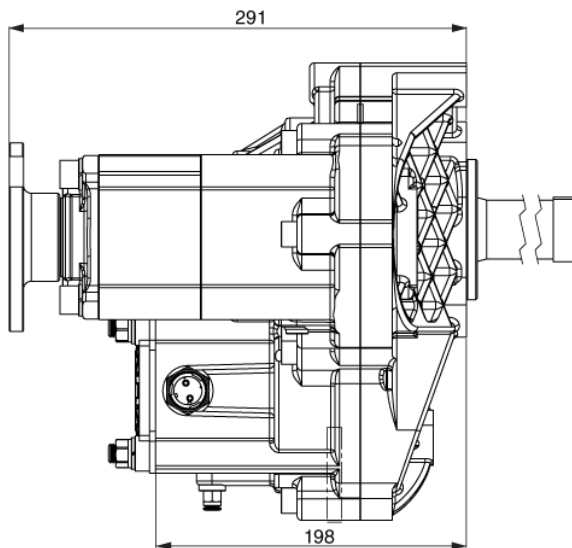
- Outlet version
- Outlet control option
- Available option
- Control option
- Model

	Output 1	Output 2	Number of teeth	12
Torque (Nm)	800	500	Module	3,25
Int. ratio	1,45	1,94	Replace	904
Number of axles	2	3	Replaced by	

31/01/2014

Command type

- Mechanical with lever remote control (TC)
- Hydraulic control
- Pneumatic
- Ready for electric solenoid control
- Depressure control
- Constantly engaged
- Mechanical with PUSH-PULL remote control
- Electric control KES 5
- Ready for detached control



VEHICLE MOTION DIRECTION

