



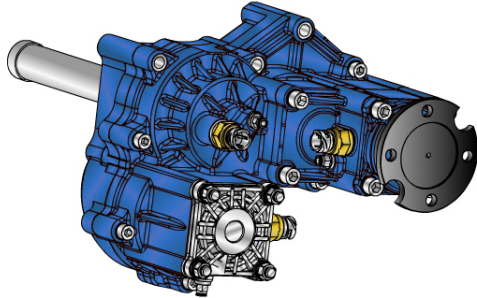
PZB®

D01P-0-03 - Pagina WebPTO PZB - rev. 0

421VA



#PTO POS. H. D. D.U. VOLVO VT



421VA **XX** **Y** **K** **Z1** **Z2**

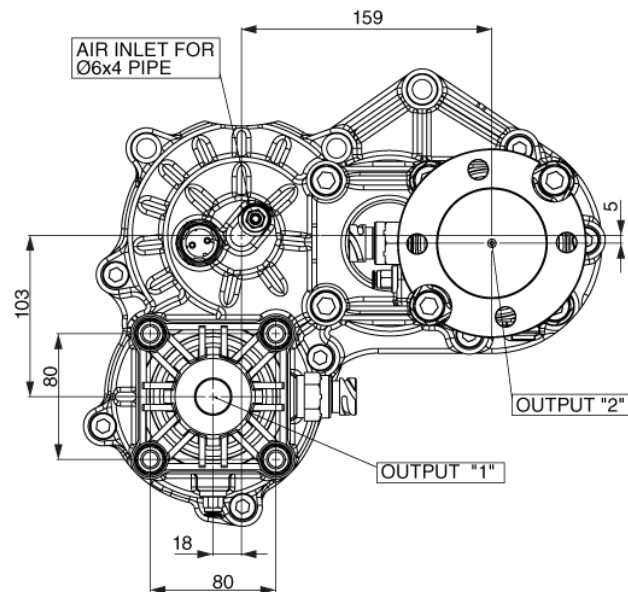
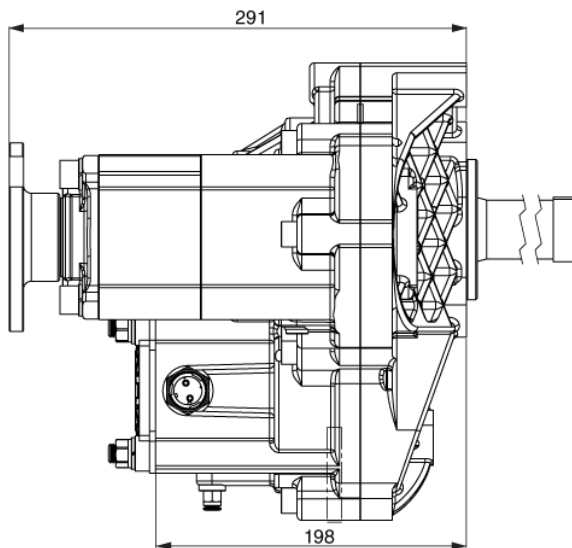
- Outlet version
- Outlet control option
- Available option
- Control option
- Model

| | | | | |
|------------------------|-----------------|-----------------|------------------------|------|
| | Output 1 | Output 2 | Number of teeth | 12 |
| Torque (Nm) | 800 | 500 | Module | 3,25 |
| Int. ratio | 1,45 | 1,94 | Replace | 904 |
| Number of axles | 2 | 3 | Replaced by | |

31/01/2014

Command type

- Mechanical with lever remote control (TC)
- Hydraulic control
- Pneumatic
- Ready for electric solenoid control
- Depressure control
- Constantly engaged
- Mechanical with PUSH-PULL remote control
- Electric control KES 5
- Ready for detached control



VEHICLE MOTION DIRECTION

