



# PZB®

D01P-0-03 - Pagina WebPTO PZB - rev. 0

## 42156



42156 XX Y ZZZ

Outlet version  
Available option  
Control option  
Model

	<b>Output 1</b>		<b>Number of teeth</b>	22
<b>Torque (Nm)</b>	250		<b>Module</b>	4,23
<b>Int. ratio</b>	0,93		<b>Replace</b>	
<b>Number of axles</b>	3		<b>Replaced by</b>	

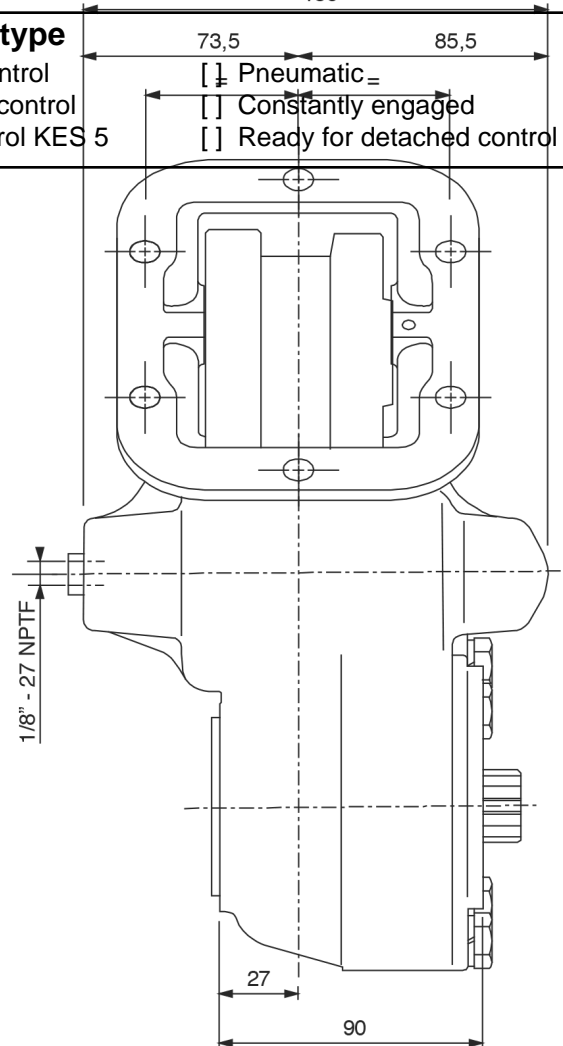
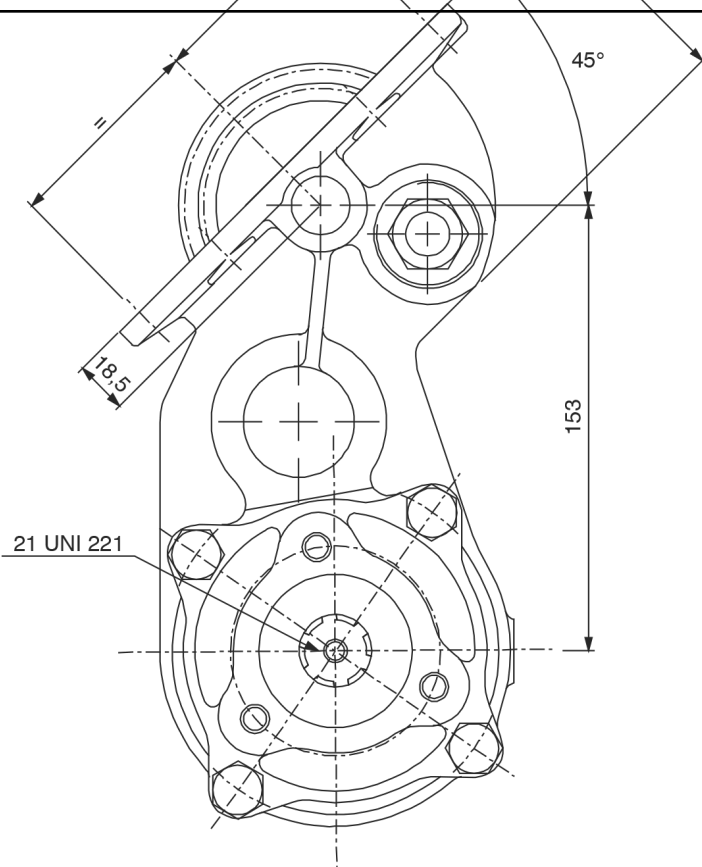
159

10/10/2006

### Command type

- Mechanical with lever remote control (TC)
- Ready for electric solenoid control
- Mechanical with PUSH-PULL remote control
- Hydraulic control
- Depressure control
- Electric control KES 5

- Pneumatic
- Constantly engaged
- Ready for detached control



Interpump Hydraulics Spa a socio unico - **Business Unit PZB**

Sede Legale: via A. Mingozzi, 6 • 40012 Calderara di Reno BO - Italy

Sede Operativa: via A. Mingozzi, 6 • 40012 Calderara di Reno BO - Italy • T +39 051 6460511 • F +39 051 6460560 • info@pzbitaly.com • pzbitaly.com

Cap. Soc. Euro 2.631.600,00 i.v. • N. Mecc. BO 056383 • R.E.A. BO 444225 • C.F. 00883010241 • P.Iva IT02128140361

Soggetta ad attività di Direzione e Coordinamento da parte di Interpump Group Spa

