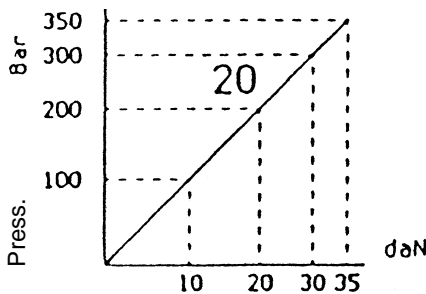




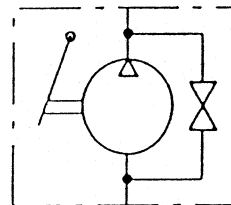
HAND PUMP SIDE FIXING

4.1.9.6.020

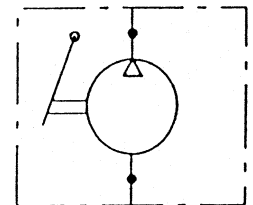
CODE	DISPLACEMENT cm ³ / cycle	PRESSURE Max bar	WEIGHT Kg.
4.1.9.6.020.X.00	20	350	2,9



4.1.9.6.020.0.00



4.1.9.6.020.3.00



Working effort with 1 mt. hand lever

4.1.9.6.020.X.00

BASIC SERIAL NUMBER _____

VERSION

0 = STANDARD

1 = WITHOUT RELEASE HANDKNOB

GENERAL FEATURES

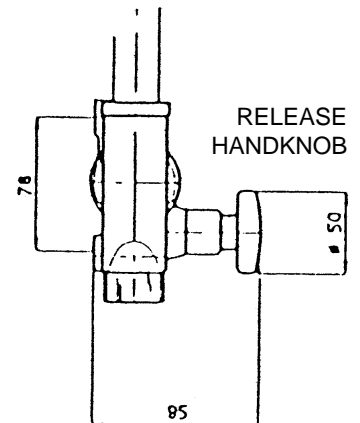
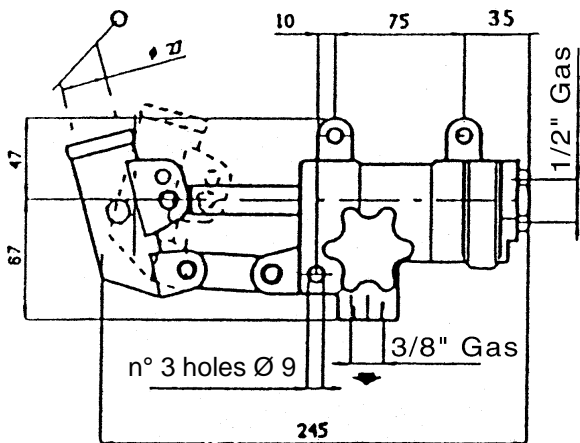
The hand pumps have specially been studied expressly for high performances and reliability; they are used in different sectors: transport, industry and agriculture.

The hand pumps can be installed both in horizontal and vertical position.

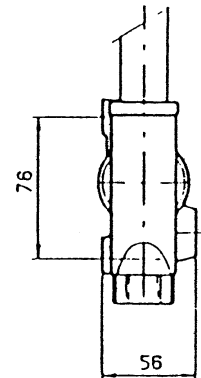
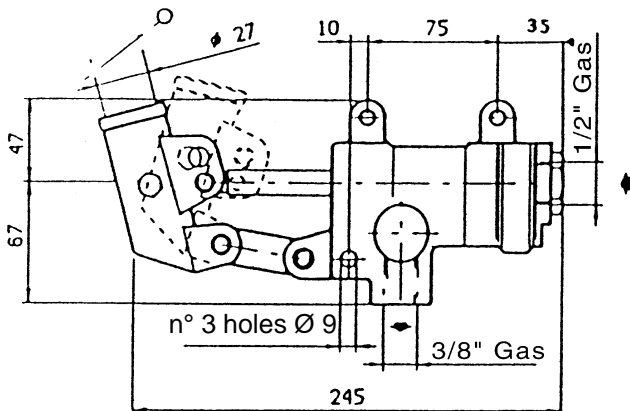
DIRECTIONS FOR USE.

- Oil** - Use only ISO 6743/4 (DIN 51524) hydraulic mineral oil
- Viscosity** - The viscosity must be according to ISO 3448 (DIN 51519) standards.
 Minimum viscosity: ISO VG 15
 Maximum viscosity: ISO VG 100
 Advised viscosity: ISO VG 46
- Filtration contamination** - The main cause of the bad working of hydraulic installations is the excessive fluid contamination.
 Advised filtration: 50 - 80 microns.
 Contamination class: 18/14 ISO 4406 (9 NAS 1638)
- Temperature** - Working temperature: from - 20° C to + 80° C

Code 4.1.9.6.020.0.00 - Hand pump **WITH** release handknob



Code 4.1.9.6.020.3.00 - Hand pump **WITHOUT** release handknob



ON REQUEST: ROUN-DED TYPE LEVER COD. 2.99.034.0000
RECTANGULAR TYPE LEVER COD. 2.99.201.0000

