

Outlet version  
Available option  
Control option  
Model  
PTO

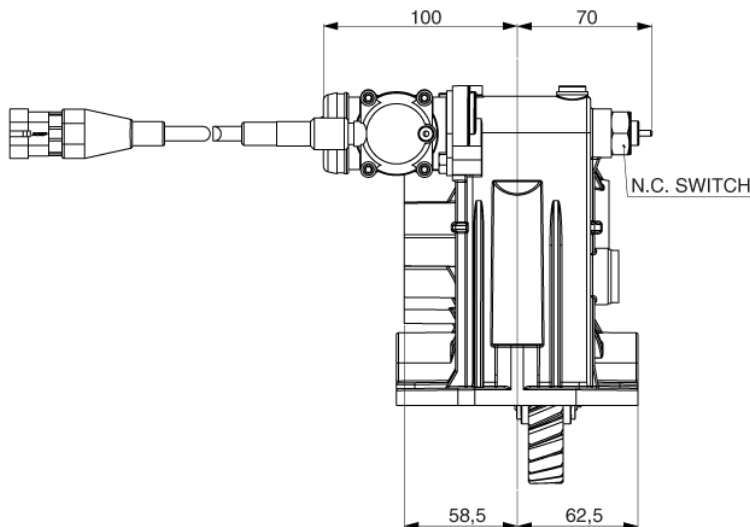
	Output 1
Torque (Nm)	90
Int. ratio	2,13
Number of axles	2

Number of teeth	32
Module	2,9
Replace	
Replaced by	

24/09/2014

### Command type

Electric     Hydraulic     Mechanical     Fixed engagement     Pneumatic     Vacuum system



- GR. 1 INDUSTRIAL PUMP
- BPC GR.2 COMPACT PUMP
- STANDARD UNI 3 HOLES PUMP

