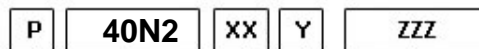
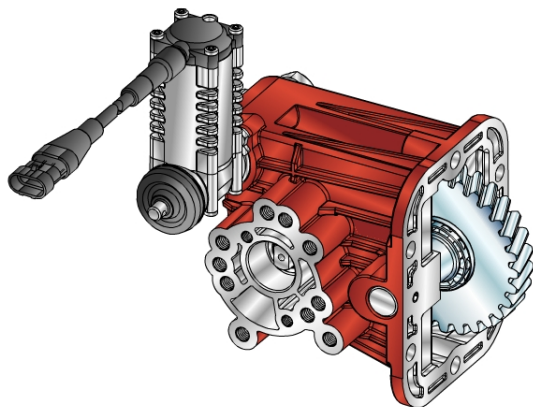




### PTO LATERALE L.D. PER CAMBIO NISSAN M5-40A



Outlet version  
Available option  
Control option  
Model  
PTO

	<b>Output 1</b>	
<b>Torque (Nm)</b>	90	
<b>Int. ratio</b>	2,3	
<b>Number of axles</b>	2	

<b>Number of teeth</b>	30
<b>Module</b>	3
<b>Replace</b>	
<b>Replaced by</b>	

19/02/2015

### Command type

Electric     Hydraulic     Mechanical     Fixed engagement     Pneumatic     Vacuum system

