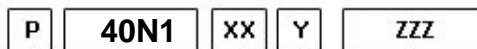
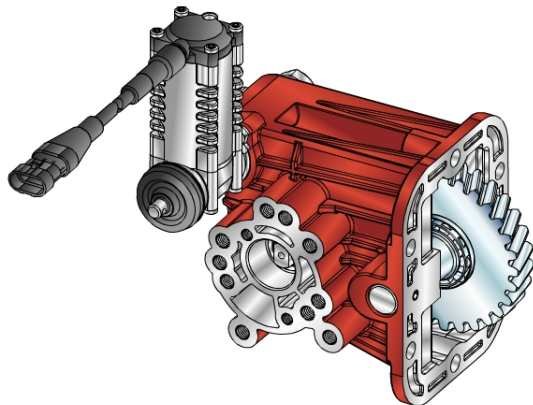




PTO LATERALE L.D. PER CAMBIO NISSAN M5-35A



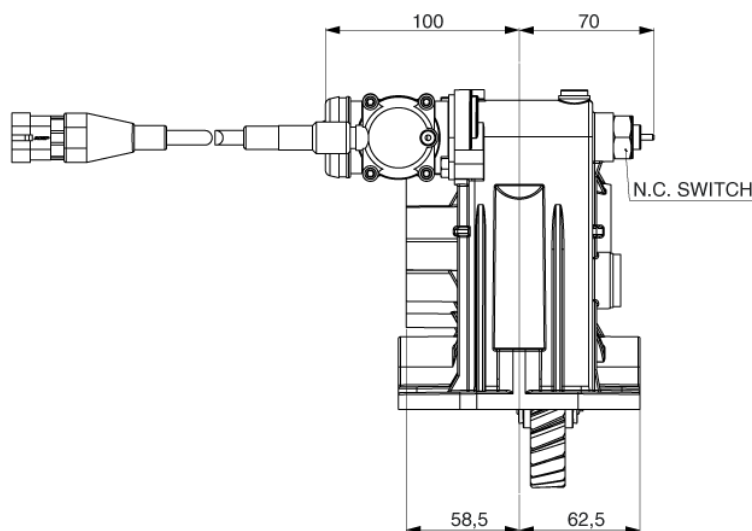
Outlet version
Available option
Control option
Model
PTO

	Output 1		Number of teeth	29
Torque (Nm)	90		Module	3
Int. ratio	1,93		Replace	
Number of axles	2		Replaced by	

19/02/2015

Command type

Electric Hydraulic Mechanical Fixed engagement Pneumatic Vacuum system



- GR. 1 INDUSTRIAL PUMP
- BPC GR.2 COMPACT PUMP
- STANDARD UNI 3 HOLES PUMP

