



PZB Power Packs are indispensable when some hydraulic equipment have to be fitted onto lightweight trucks, where no PTO opening is available.

Typical applications are: TIPPING BODIES, SMALL CRANES, TAILGATE LIFTERS, SNOW-PLOUGHS, LIFTING ROOFS, LIFTING PLATFORMS, FORK-LIFTERS and so on.

### 3.7.X.XX.XX.XXX

BASIC SERIAL NUMBER

PUMP DISPLACEMENT

**1** = 1 cc./rev.

**2** = 2 cc./rev.

**4** = 4 cc./rev.

TANK

**07** = 5 litres

**10** = 10 litres

**15** = 13,5 litres

**21** = 7,5 litres

VALVE ASSEMBLY

**002** = NO VALVE (CRANES, LIFTING ROOFS)

**007** = READY TO ACCEPT A CETOP3 VALVE

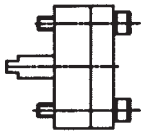
**010** = ELECTRIC VALVE

ELECTRIC MOTOR

**07** = 1500 Watt

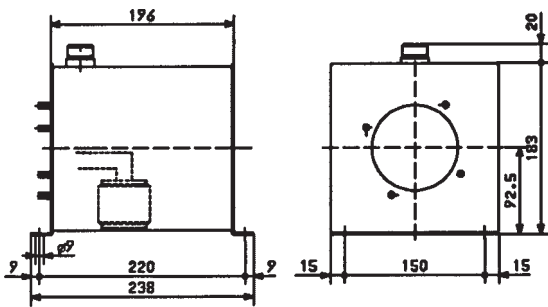
**09** = 3000 Watt

## PUMPS

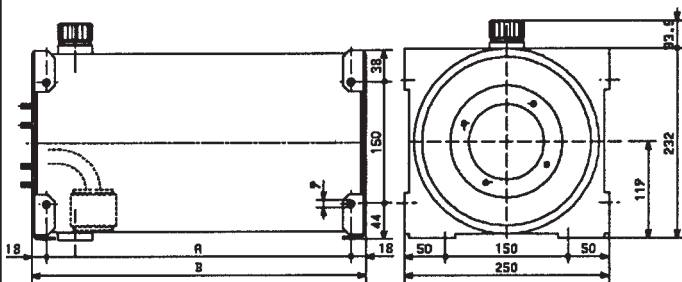


CODE	DISPLACEMENT cc/rev
3.7.1.XX.XX.XXX	1
3.7.2.XX.XX.XXX	2
3.7.4.XX.XX.XXX	4

## TANKS

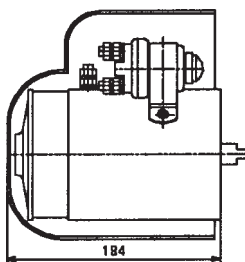


CODE	CAPACITY litres
3.7.X.07.XX.XXX	5



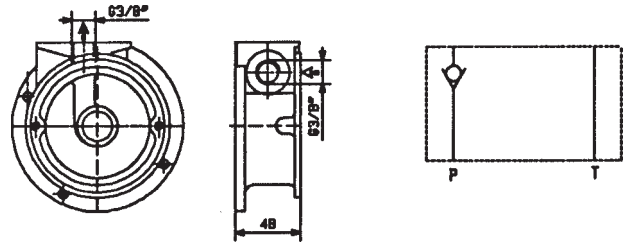
CODE	CAPACITY litres	DIMENSIONS mm
3.7.X.10.XX.XXX	10	A = 250 B = 286
3.7.X.15.XX.XXX	13,5	A = 370 B = 406
3.7.X.21.XX.XXX	7,5	A = 175 B = 211

## ELECTRIC MOTOR



CODE	VOLTAGE VOLT	POWER WATT
3.7.X.XX.07.XXX	12	1500
3.7.X.XX.09.XXX	24	3000

## VALVE ASSEMBLY

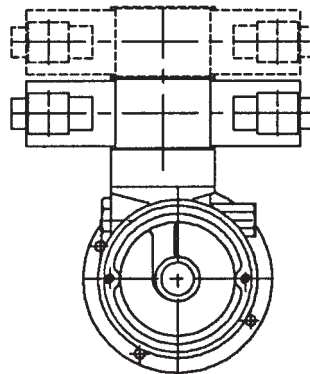
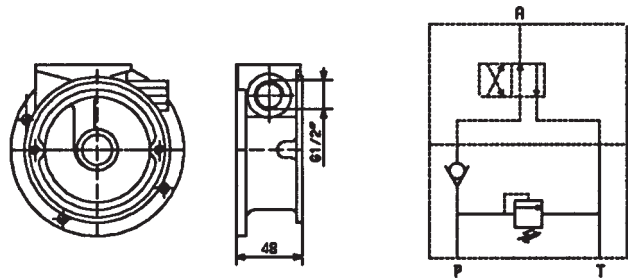


**PURPOSE:**

- all hydraulic systems having a remote mounted valve tank.
- small cranes, tailgate lifters, lifting roofs, etc.

Version without valve, with threaded ports for pressure and return.

CODE	DESCRIPTION
3.7.X.XX.XX.002	NO VALVE



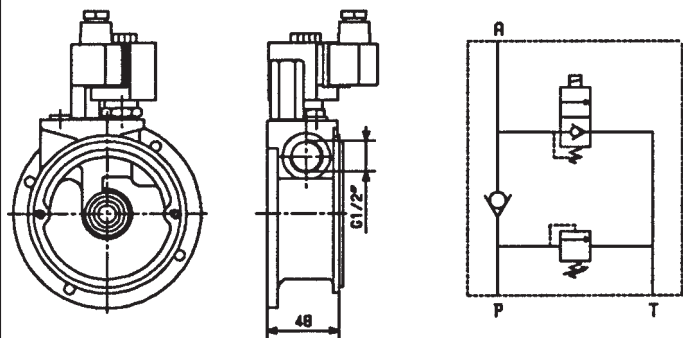
Fitting example:  
n° 2 CETOP3 valve  
4 ways-2 positions.

**PURPOSE:**

- tailgate lifters, lifting platforms, snow-ploughs, campers, shop trucks.

Standard version: for one or more valves the CETOP3 Valve 4 ways-2 positions can be supplied complete at request.

CODE	DESCRIPTION
3.7.X.XX.XX.007	Valve mounting arrangement



**PURPOSE:**

- small tipper, electric control.

Single acting, two positions Solenoid Valve.

CODE	DESCRIPTION
3.7.X.XX.XX.010	Electric valve

## ACCESSORIES (ON REQUEST)

**PURPOSE:** - switchboard to raise and lower the tipping body.

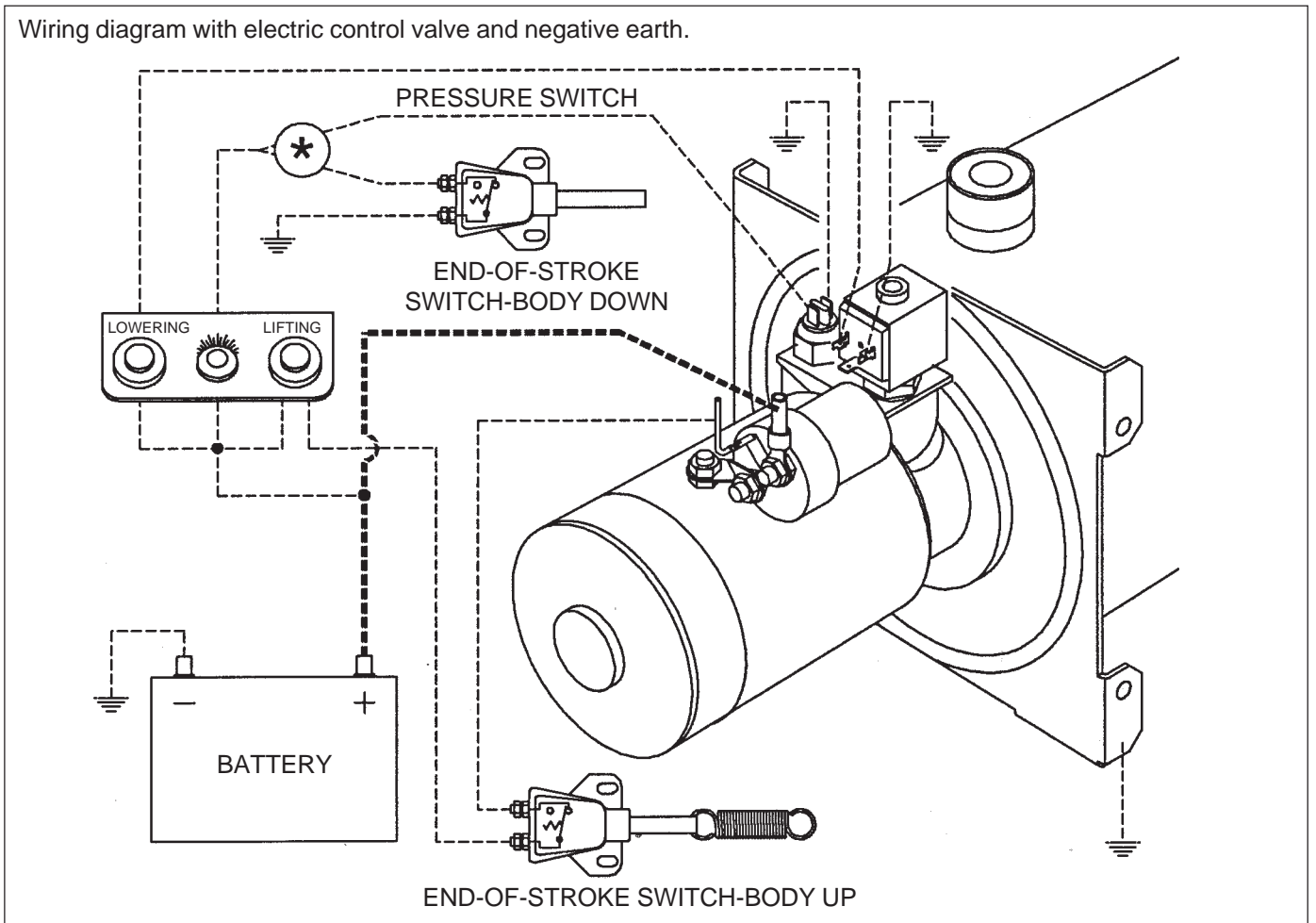
CODE	DESCRIPTION	CODE	DESCRIPTION
2.99.007.0000	Switchboard with indicator light for electric Valve	0.99.00.024.00	Pressure switch: advises that system is pressurized

END-OF-STROKE PUSH TYPE

END-OF-STROKE PULL TYPE

CODE	DESCRIPTION
0.00.07.001.00	End-of-stroke push type for rear end tipper
0.00.07.005.00	End-of-stroke pull type for three-way tipper
2.99.044.0000	Dump body end-of-stroke electric switch

## ELECTRIC WIRING

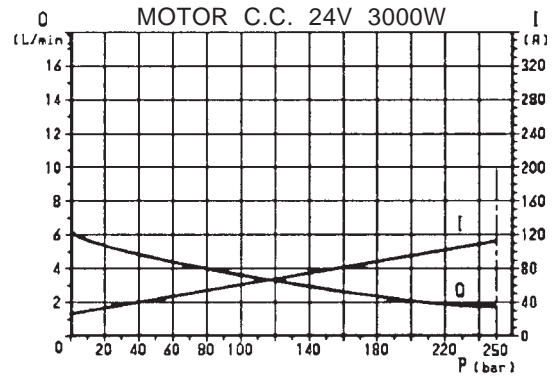
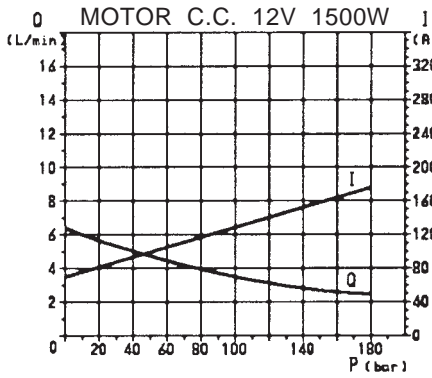


\* The indicator light can be controlled by the pressure switch or by the end-of-stroke switch-body down.

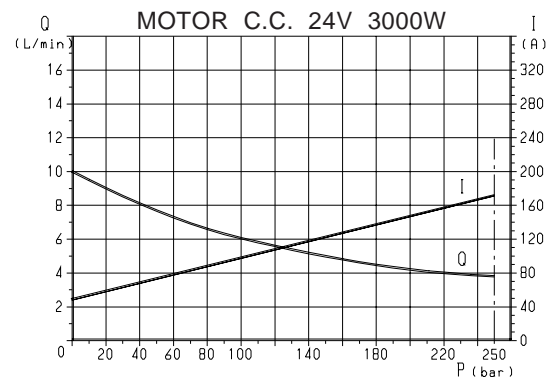
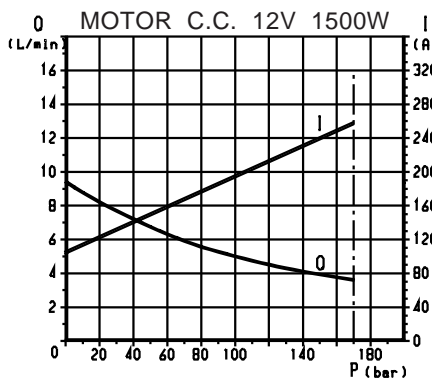
## PERFORMANCE CURVES

The following diagrams show the output flow "Q" in litres per minute along with the absorbed current "I" in Ampere over the system pressure, for each pump/motor combination.

**PUMP  
1 cc/rev.**



**PUMP  
2 cc/rev.**



**PUMP  
4 cc/rev.**

