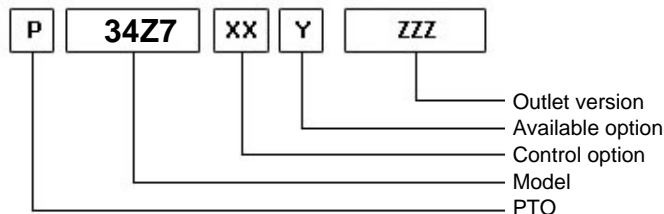
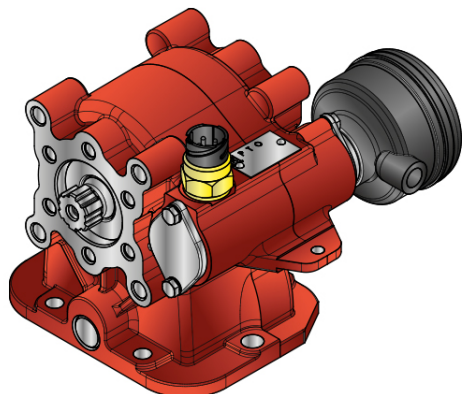




### #PTO LATERALE CAMBI ZF 6 S 500

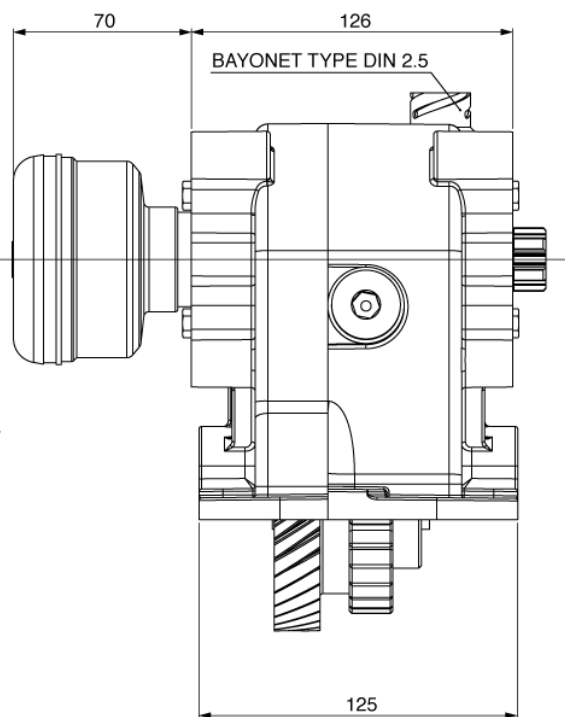
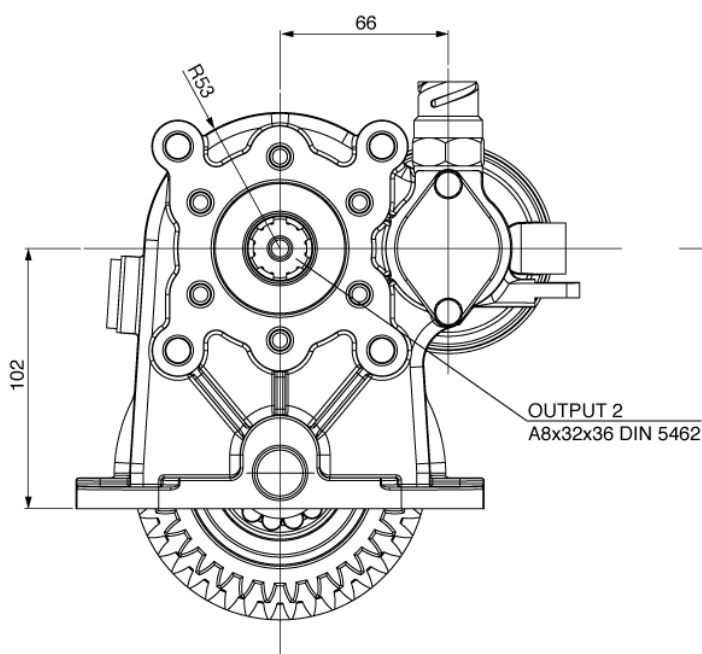


	<b>Output 1</b>		<b>Number of teeth</b>	34
<b>Torque (Nm)</b>	200		<b>Module</b>	2,45
<b>Int. ratio</b>	1,33		<b>Replace</b>	1645
<b>Number of axles</b>	2		<b>Replaced by</b>	

15/02/2017

### Command type

- Electric    
  Hydraulic    
  Mechanical    
  Fixed engagement    
  Pneumatic    
  Vacuum system



VEHICLE MOTION DIRECTION

