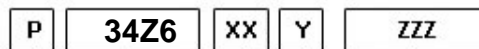
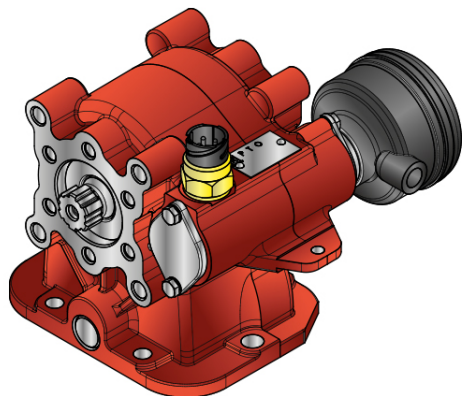




#PTO LATERALE CAMBI ZF 5 S 400



Outlet version
Available option
Control option
Model
PTO

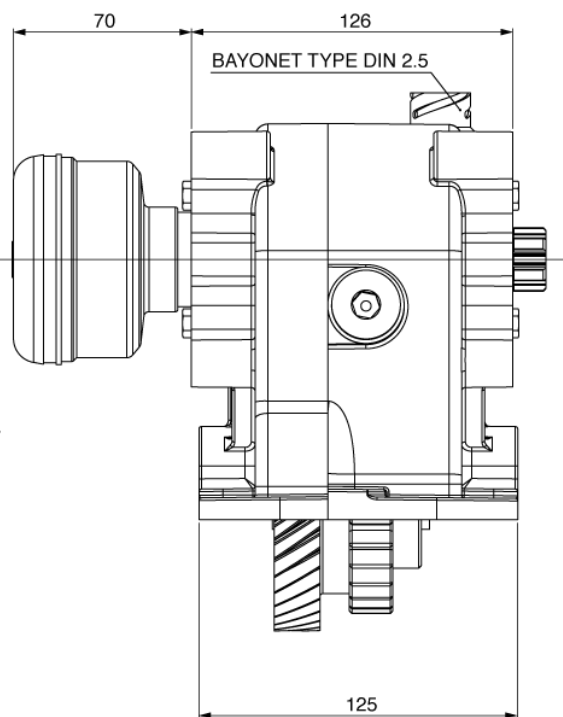
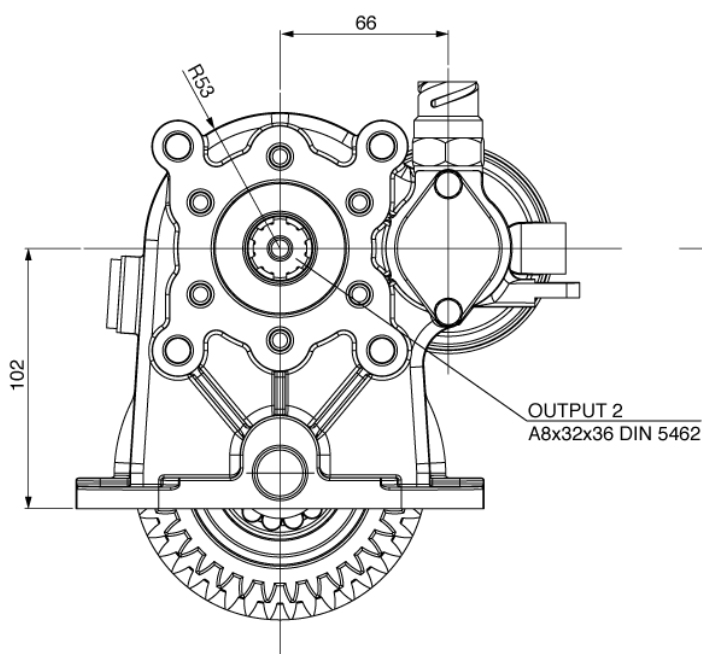
	Output 1	
Torque (Nm)	200	
Int. ratio	1,39	
Number of axles	2	

Number of teeth	42
Module	2,1
Replace	647
Replaced by	

15/02/2017

Command type

Electric Hydraulic Mechanical Fixed engagement Pneumatic Vacuum system



VEHICLE MOTION DIRECTION

