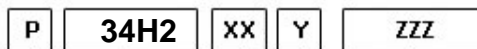
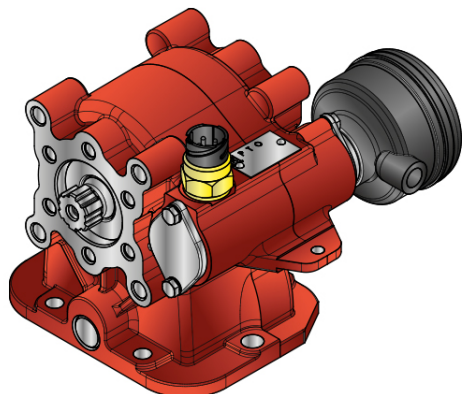




#PTO LATERALE CAMBI HYUNDAI T60S6



Outlet version
Available option
Control option
Model
PTO

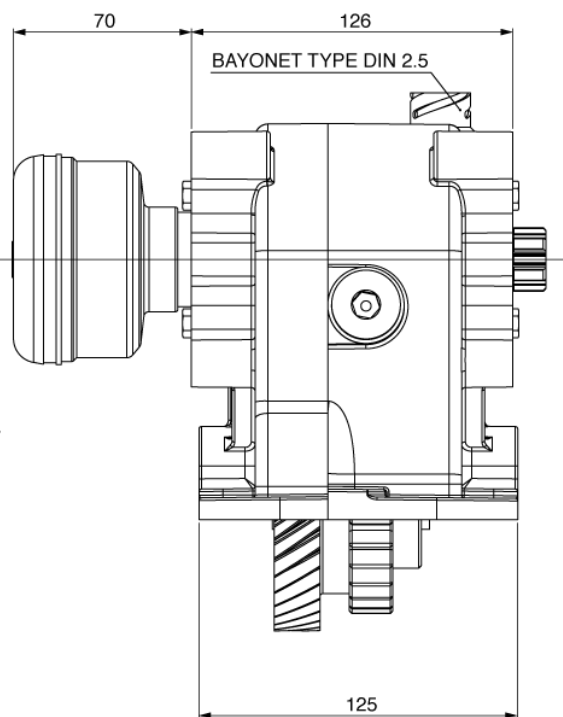
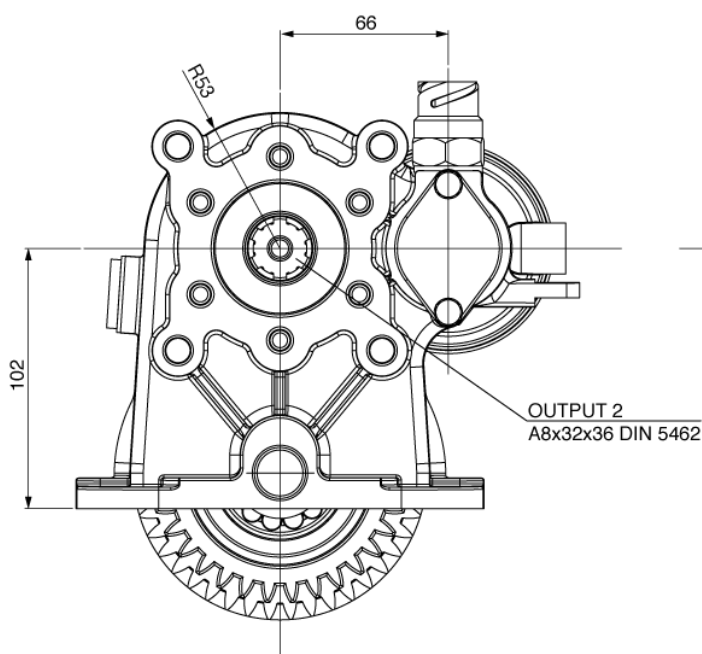
	Output 1	
Torque (Nm)	200	
Int. ratio	1,067	
Number of axles	2	

Number of teeth	32
Module	2,54
Replace	1700
Replaced by	

15/02/2017

Command type

Electric Hydraulic Mechanical Fixed engagement Pneumatic Vacuum system



VEHICLE MOTION DIRECTION

