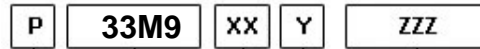
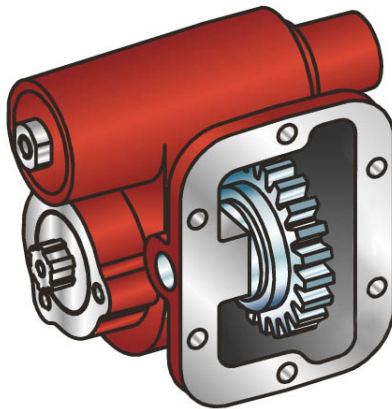




#PTO LAT. L. D. MITSUBISHI M8S6



Outlet version
 Available option
 Control option
 Model
 PTO

	Output 1		Number of teeth	17
Torque (Nm)	250		Module	5
Int. ratio	1,625		Replace	
Number of axles	2		Replaced by	

17/12/2018

Command type

Electric Hydraulic Mechanical Fixed engagement Pneumatic Vacuum system

