

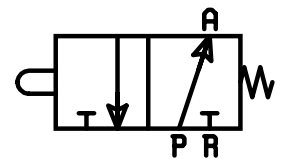


- ✓ The pneumatic end-of-stroke, fitted on 1 or 3 way tippers and coupled to our valves 3.3.1.043 e 3.3.1.045, replaces the traditional cable operated end-of-stroke.

FUNCTION

When the control rod is activated it interrupts the air flow that pilots the tipping operation in the main valve sending the oil back to the tank.

The control rod, which is activated by a push or side way movement, can be fitted at a suitable point of the tipper (ram, body, cradle).

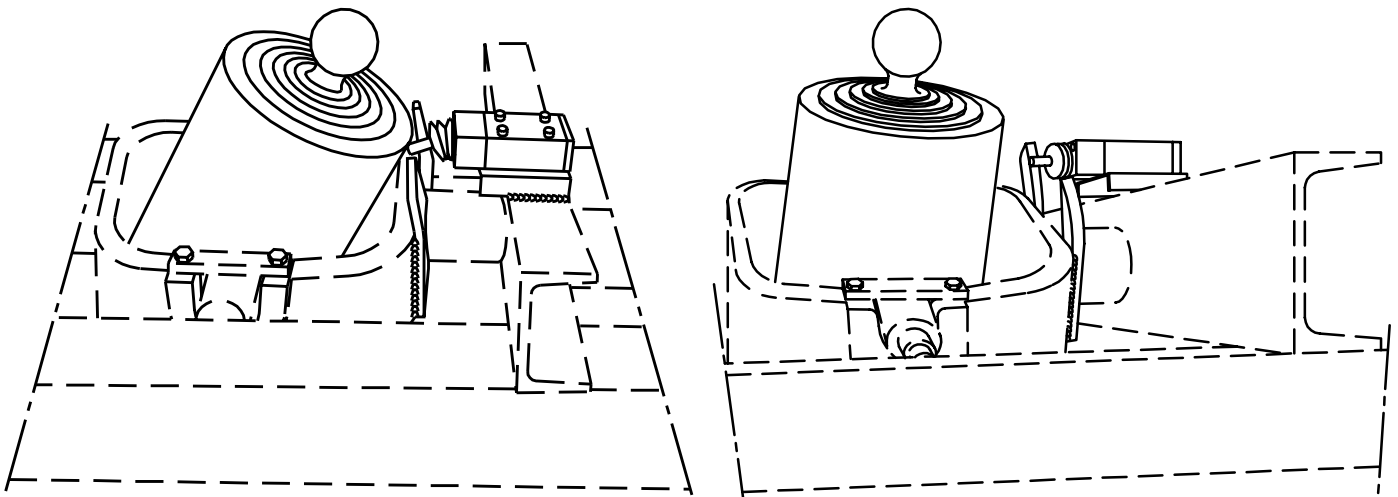


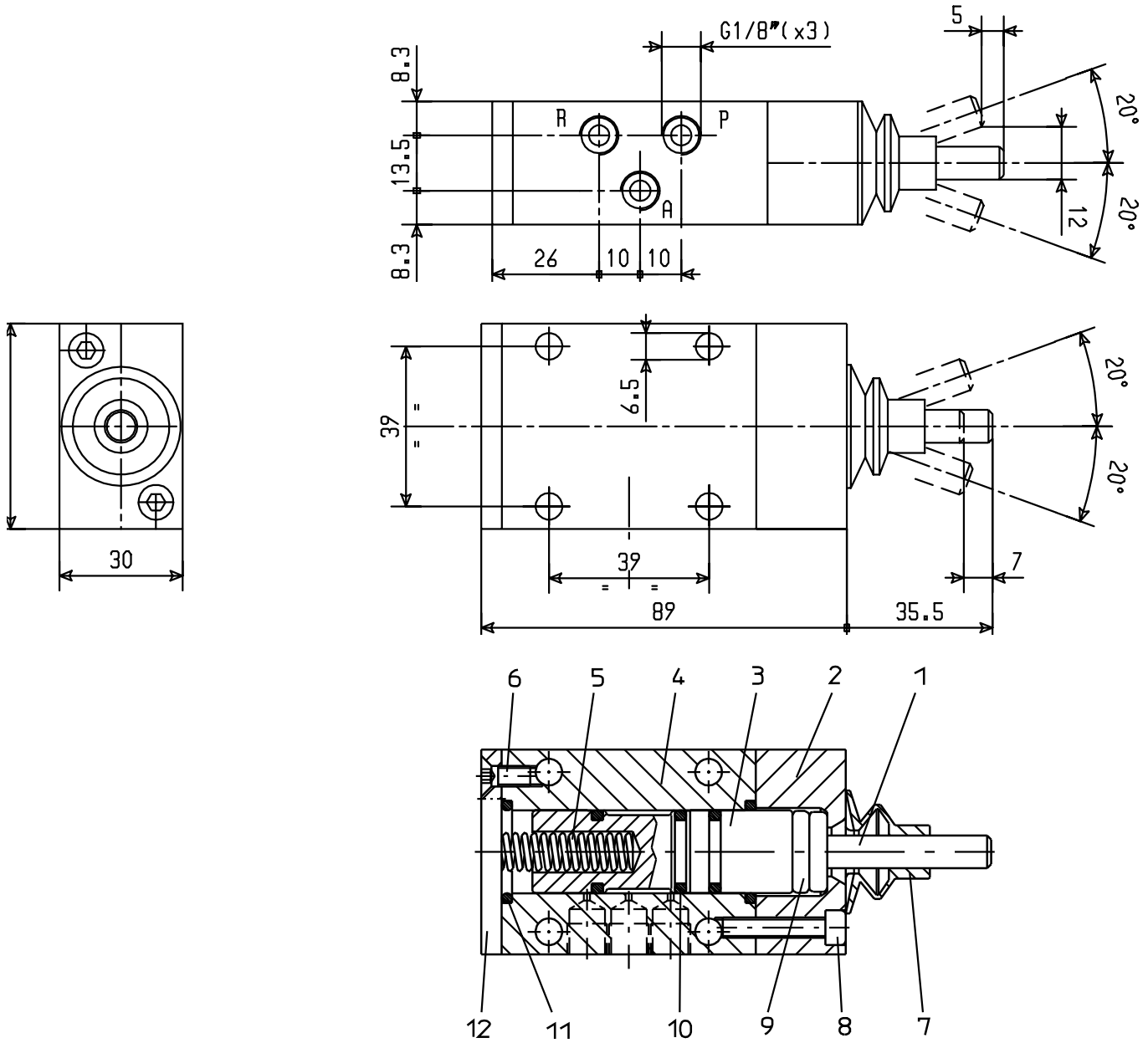
SPECIFICATIONS

Air pressure: 12 bar max.

WEIGHT: kg. 0,650

STANDARD APPLICATION



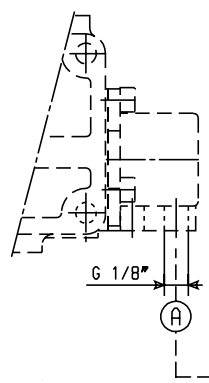


REF.	CODE	DESCRIPTION	QT.
1	1.23.00.039.00	Lever	1
2	1.24.02.045.00	Superior cover	1
3	1.15.00.097.00	Shaft	1
4	1.06.01.039.00	Body	1
5	1.28.01.097.00	Coil spring	1
6	0.01.04.004.00	Screw TSPEI M5x12UNI 5933 CL RES 10.9	2

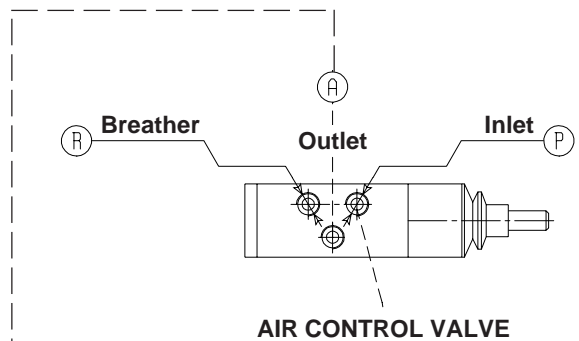
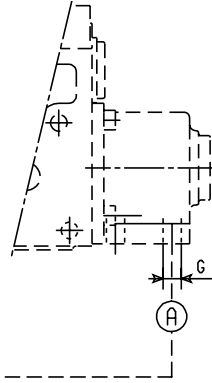
REF.	CODE	DESCRIPTION	QT.
7	0.99.00.243.00	Rubber bellow	1
8	0.01.03.038.00	Capscrew TCEI M5x25 UNI 5931 CL RES 8.8	2
9	1.24.02.044.00	Cover	1
10	0.08.02.003.00	O-Ring OR 119	3
11	0.08.02.014.00	O-Ring OR 3081	2
12	1.24.02.035.00	Inferior cover	1

VALVES

3.3.1.043.00.XX



3.3.1.045.00.XX



R - Breather (lead the air in a protected area or make use of a muffler)