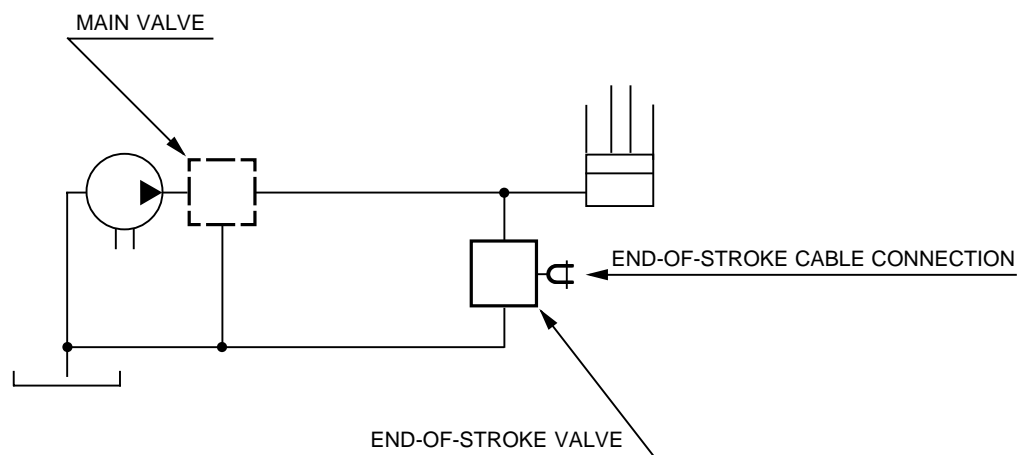
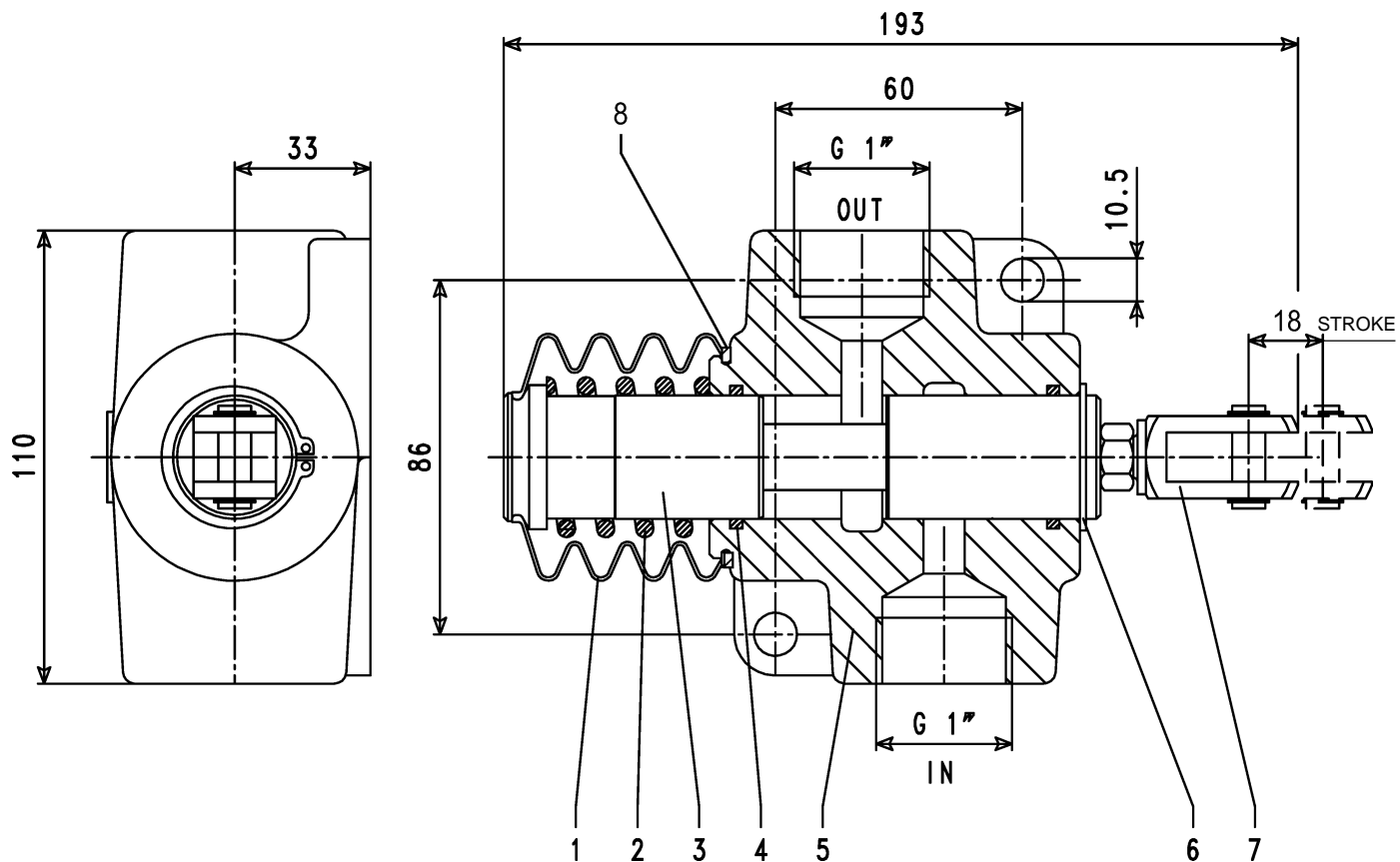


2 way two line system knock-off valve.
Mechanically operated.
Delivery up to 200 litres/min.
Pressure max.: 350 bar.

WEIGHT: kg. 3,3

APPLICATION DIAGRAM





REF.	CODE	DESCRIPTION	QT.
1	1.99.00.112.00	Rubber bellow	1
2	1.28.01.067.00	Coil spring	1
3	1.15.00.072.00	Spool	1
4	0.08.02.064.00	O-Ring OR 3118	2
5	1.06.03.004.00	Body	1
6	0.07.01.008.00	Circlip 30e UNI 7435	1
7	2.08.00.300.00	Kit tie rod	1
8	0.08.02.030.00	O-Ring OR 3168	1