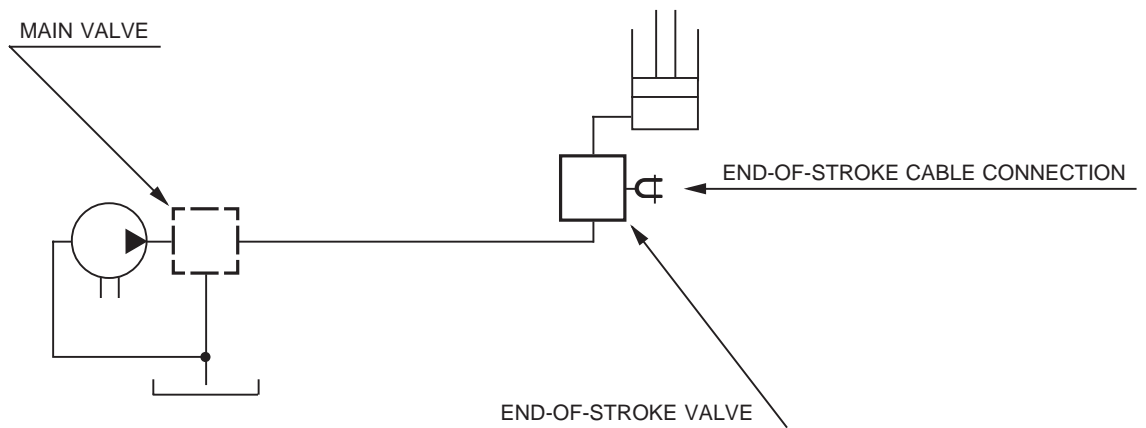
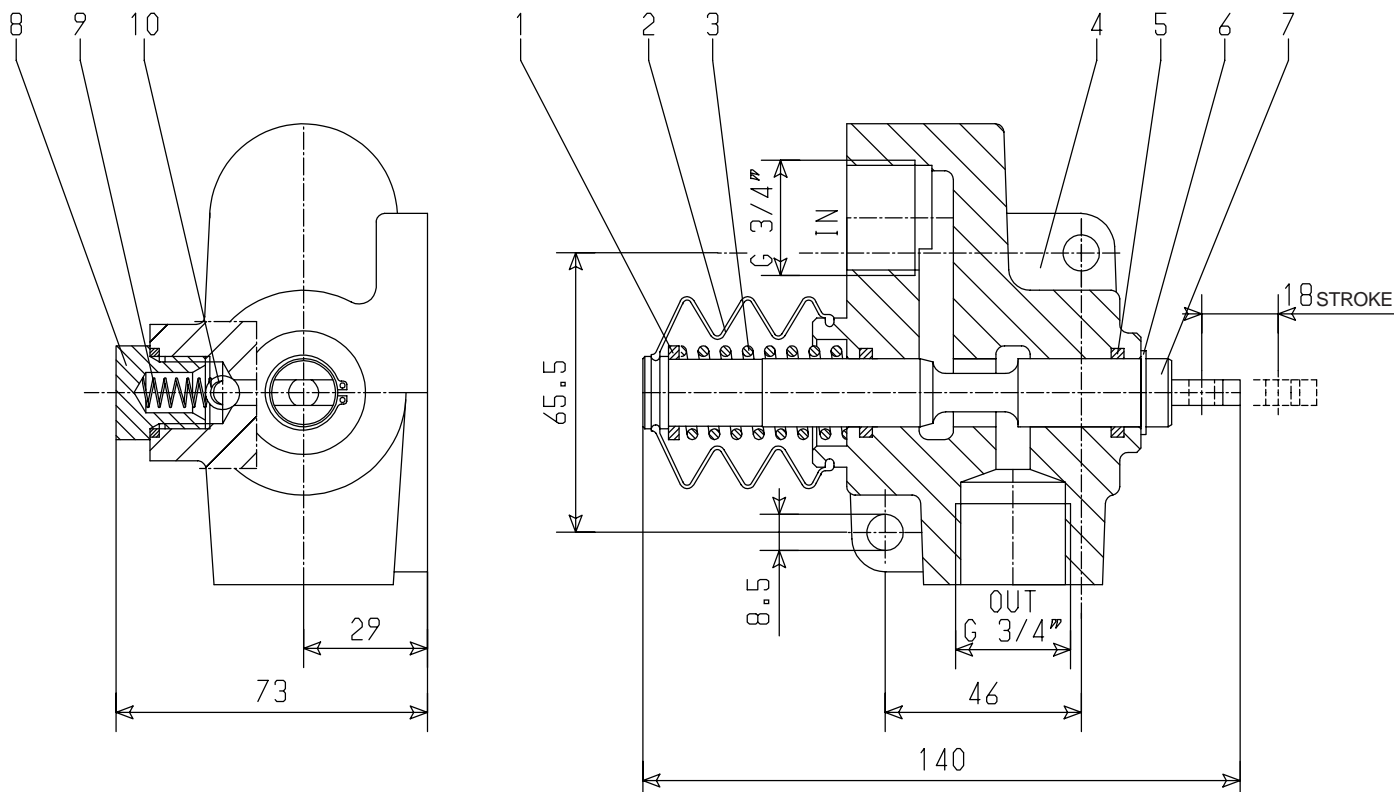


2 way one line system knock-off valve.  
Mechanically operated.  
Delivery up to 100 litres/min.  
Pressure max.: 350 bar.

WEIGHT: kg. 1,7

APPLICATION DIAGRAM





REF.	CODE	DESCRIPTION	QT.
1	1.27.02.062.00	Ring 3/8"-3/4"	1
2	1.99.00.018.00	Rubber bellow DOP19/6	1
3	1.28.01.064.00	Coil spring	1
4	1.06.03.008.00	Body V.F.C. 3/4"	1
5	0.08.02.031.00	O-Ring OR 121	3
6	0.07.01.014.00	Circlip 16e UNI 7435	1
7	1.15.00.029.00	Spool	1
8	0.12.01.054.00	Retainer 3/8"	1
9	1.28.01.063.00	Coil spring	1
10	0.11.01.001.00	Ball 5/16"	1