



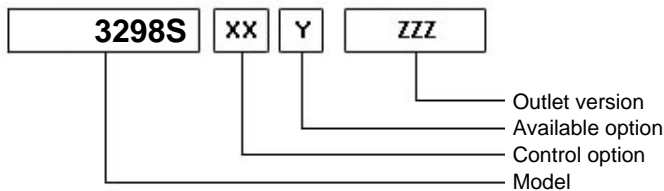
PZB®

D01P-0-03 - Pagina WebPTO PZB - rev. 0

3298S



#PTO LAT. L. D. Z.F S6-420 (DX)

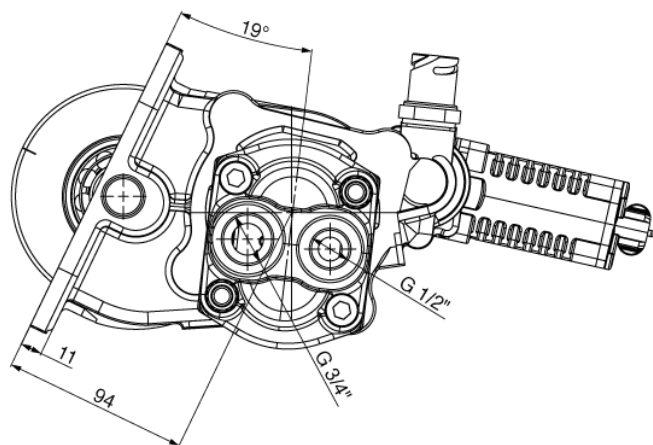


	Output 1		Number of teeth	33
Torque (Nm)	90		Module	2,85
Int. ratio	1,74		Replace	
Number of axles	2		Replaced by	

28/03/2018

Command type

- Mechanical with lever remote control (TC)
- Ready for electric solenoid control
- Mechanical with PUSH-PULL remote control
- Hydraulic control
- Depressure control
- Electric control KES 5
- Pneumatic
- Constantly engaged
- Ready for detached control



VEHICLE MOTION DIRECTION

