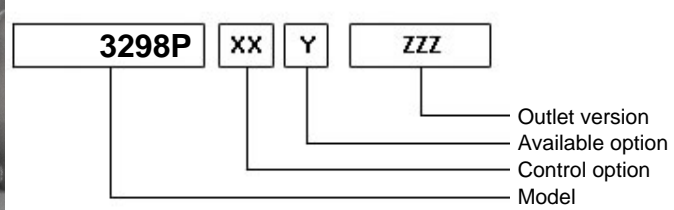
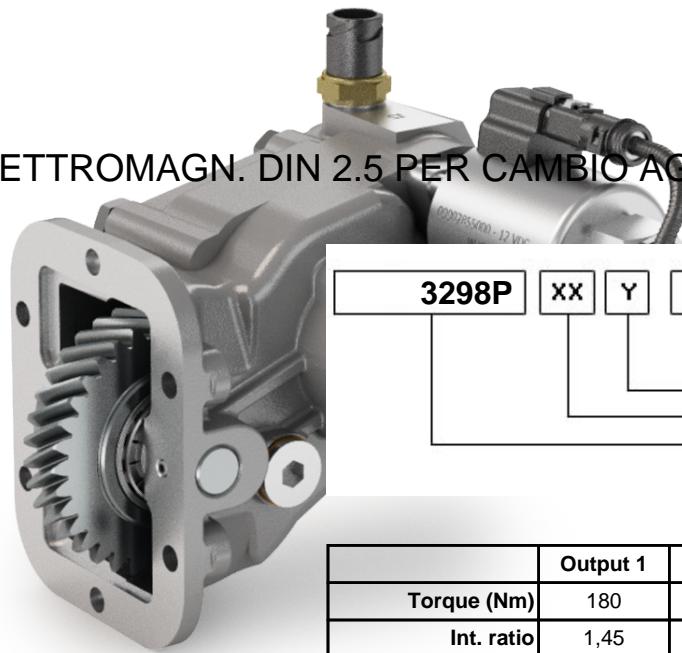


3298P

#PTO CMD. ELETTRICOMAGN. DIN 2.5 PER CAMBIO AGILE ZF 6AS 400

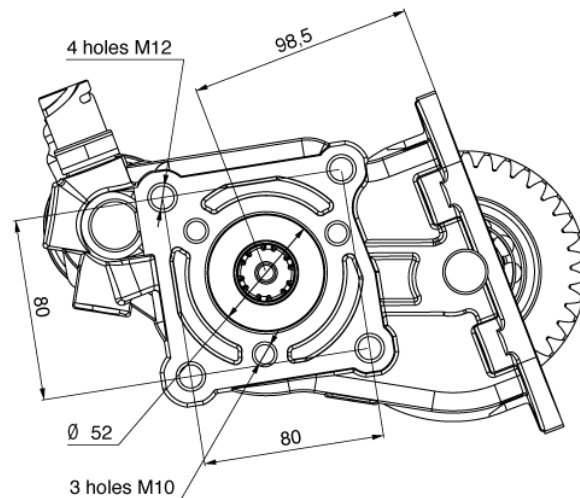
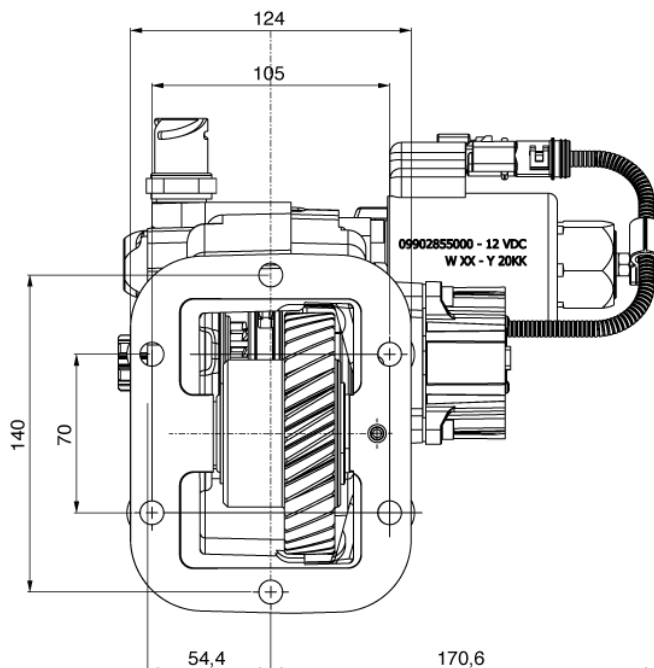


	Output 1		Number of teeth	32
Torque (Nm)	180		Module	2,9
Int. ratio	1,45		Replace	
Number of axles	2		Replaced by	

27/11/2018

Command type

- | | | |
|--|---|---|
| <input type="checkbox"/> Mechanical with lever remote control (TC) | <input type="checkbox"/> Hydraulic control | <input type="checkbox"/> Pneumatic |
| <input type="checkbox"/> Ready for electric solenoid control | <input type="checkbox"/> Depressure control | <input type="checkbox"/> Constantly engaged |
| <input type="checkbox"/> Mechanical with PUSH-PULL remote control | <input type="checkbox"/> Electric control KES 5 | <input type="checkbox"/> Ready for detached control |



VEHICLE MOTION DIRECTION