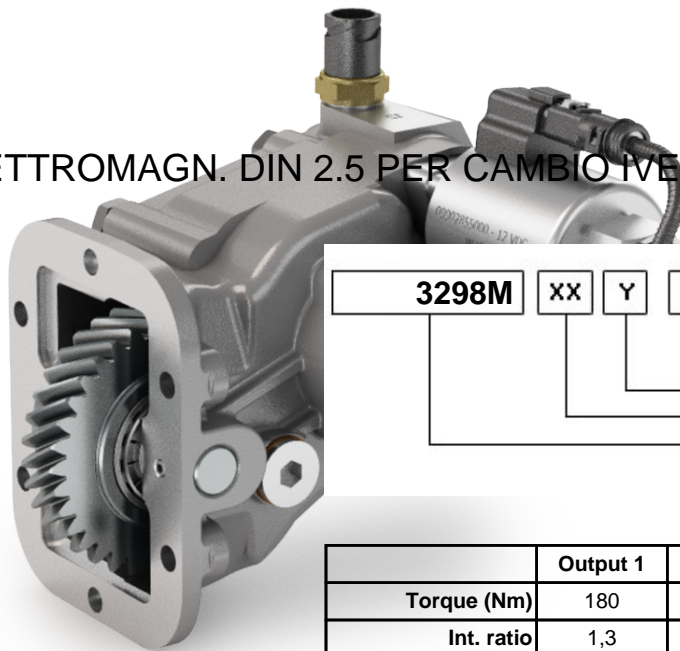


3298M

#PTO CMD. ELETTRICOMAGN. DIN 2.5 PER CAMBIO IVECO 2840.6 FL11



3298M	XX	Y	ZZZ
--------------	-----------	----------	------------

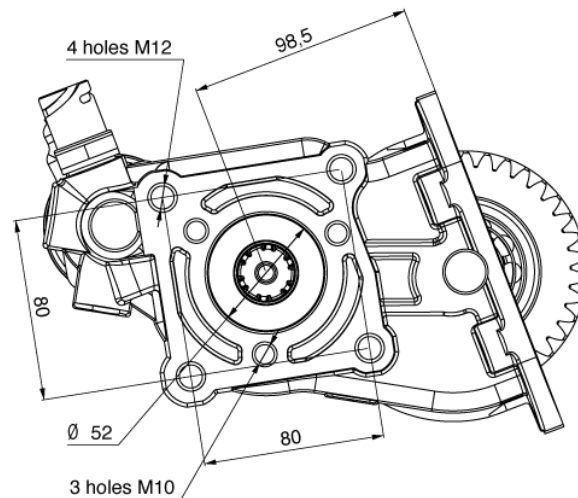
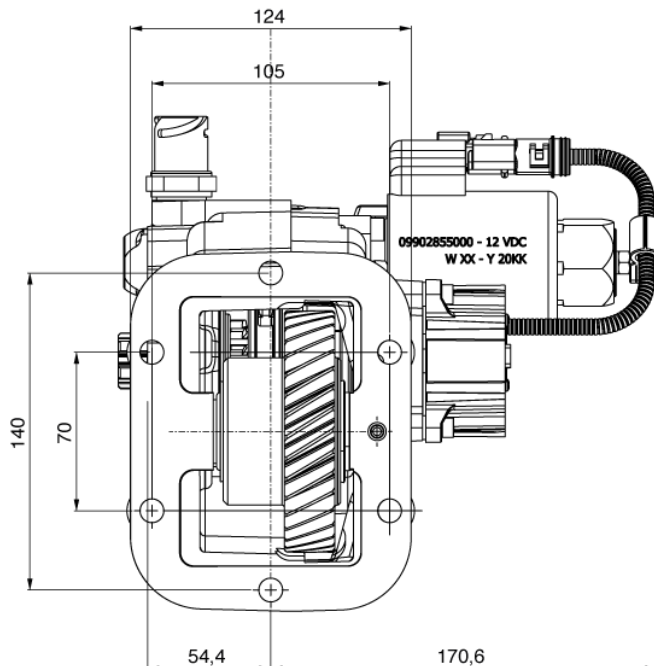
Outlet version
 Available option
 Control option
 Model

	Output 1		Number of teeth	35
Torque (Nm)	180		Module	2,45
Int. ratio	1,3		Replace	
Number of axles	2		Replaced by	

27/11/2018

Command type

- | | | |
|---|--|---|
| <input checked="" type="checkbox"/> Mechanical with lever remote control (TC) | <input type="checkbox"/> Hydraulic control | <input type="checkbox"/> Pneumatic |
| <input type="checkbox"/> Ready for electric solenoid control | <input checked="" type="checkbox"/> Depressure control | <input type="checkbox"/> Constantly engaged |
| <input type="checkbox"/> Mechanical with PUSH-PULL remote control | <input checked="" type="checkbox"/> Electric control KES 5 | <input type="checkbox"/> Ready for detached control |



VEHICLE MOTION DIRECTION