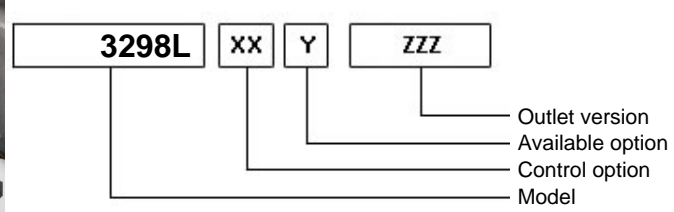
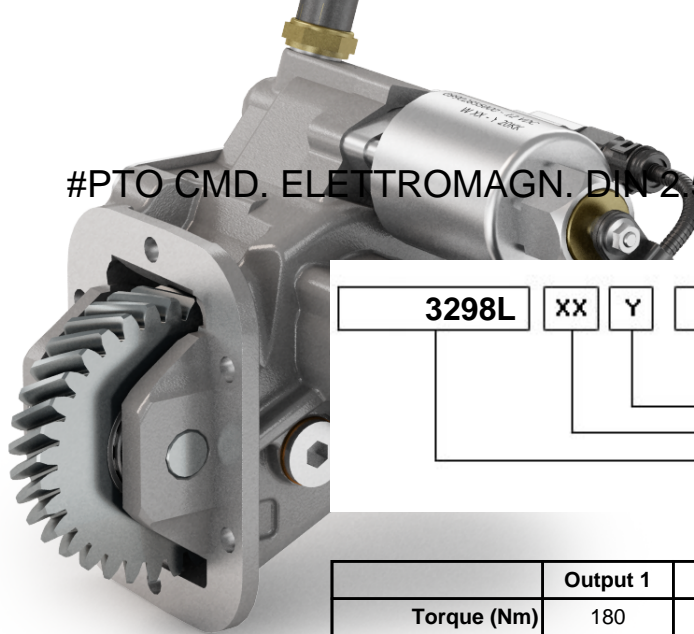


# 3298L

#PTO CMD. ELETTRROMAGN. DIN 25 IVECO 2835.6

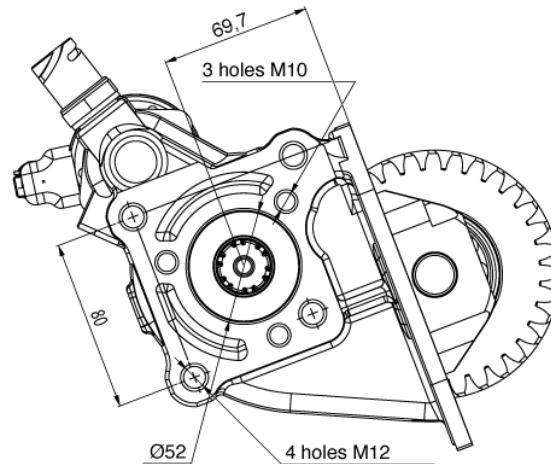
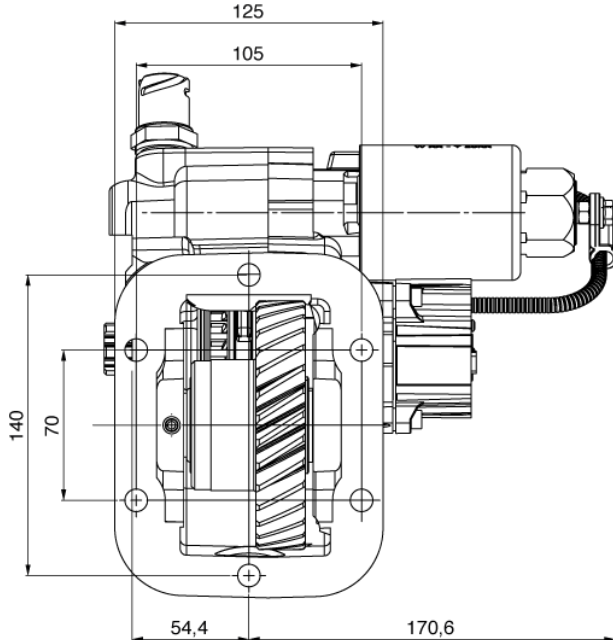


	<b>Output 1</b>		<b>Number of teeth</b>	32
<b>Torque (Nm)</b>	180		<b>Module</b>	2,9
<b>Int. ratio</b>	1,68		<b>Replace</b>	
<b>Number of axles</b>	2		<b>Replaced by</b>	

27/11/2018

## Command type

- |   |  |   |
|---|--|---|
| <input checked="" type="checkbox"/> Mechanical with lever remote control (TC) | <input type="checkbox"/> Hydraulic control                 | <input type="checkbox"/> Pneumatic                  |
| <input type="checkbox"/> Ready for electric solenoid control                  | <input checked="" type="checkbox"/> Depressure control     | <input type="checkbox"/> Constantly engaged         |
| <input type="checkbox"/> Mechanical with PUSH-PULL remote control             | <input checked="" type="checkbox"/> Electric control KES 5 | <input type="checkbox"/> Ready for detached control |



VEHICLE MOTION DIRECTION