



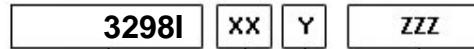
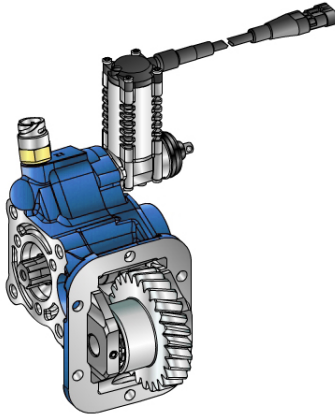
# PZB®

D01P-0-03 - Pagina WebPTO PZB - rev. 0

## 3298I



### #PRESA DI FORZA PER IVECO 2850.6



Outlet version  
Available option  
Control option  
Model

	<b>Output 1</b>		<b>Number of teeth</b>	26
<b>Torque (Nm)</b>	220		<b>Module</b>	3,2
<b>Int. ratio</b>	1,3		<b>Replace</b>	
<b>Number of axles</b>	2		<b>Replaced by</b>	

25/01/2013

### Command type

- |   |  |   |
|---|--|---|
| <input checked="" type="checkbox"/> Mechanical with lever remote control (TC) | <input type="checkbox"/> Hydraulic control                 | <input type="checkbox"/> Pneumatic                  |
| <input type="checkbox"/> Ready for electric solenoid control                  | <input checked="" type="checkbox"/> Depressure control     | <input type="checkbox"/> Constantly engaged         |
| <input type="checkbox"/> Mechanical with PUSH-PULL remote control             | <input checked="" type="checkbox"/> Electric control KES 5 | <input type="checkbox"/> Ready for detached control |

