



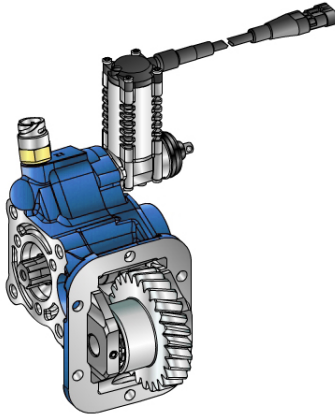
PZB®

D01P-0-03 - Pagina WebPTO PZB - rev. 0

3298B



#PRESA DI FORZA PER IVECO 2835.6



3298B **XX** **Y** **ZZZ**

Outlet version
Available option
Control option
Model

	Output 1		Number of teeth	32
Torque (Nm)	180		Module	2,9
Int. ratio	1,68		Replace	
Number of axles	2		Replaced by	

18/09/2013

Command type

- | | | |
|---|--|---|
| <input checked="" type="checkbox"/> Mechanical with lever remote control (TC) | <input type="checkbox"/> Hydraulic control | <input type="checkbox"/> Pneumatic |
| <input type="checkbox"/> Ready for electric solenoid control | <input checked="" type="checkbox"/> Depressure control | <input type="checkbox"/> Constantly engaged |
| <input type="checkbox"/> Mechanical with PUSH-PULL remote control | <input checked="" type="checkbox"/> Electric control KES 5 | <input type="checkbox"/> Ready for detached control |

