



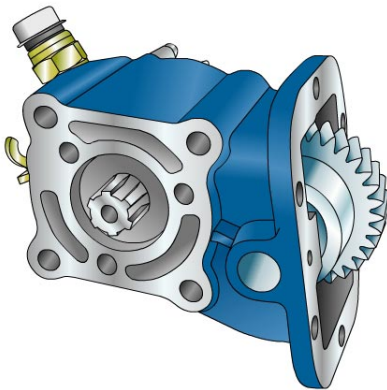
PZB®

D01P-0-03 - Pagina WebPTO PZB - rev. 0

32985



#PTO LAT. L. D. Z.F S5-270



32985 **XX** **Y** **ZZZ**

Outlet version
Available option
Control option
Model

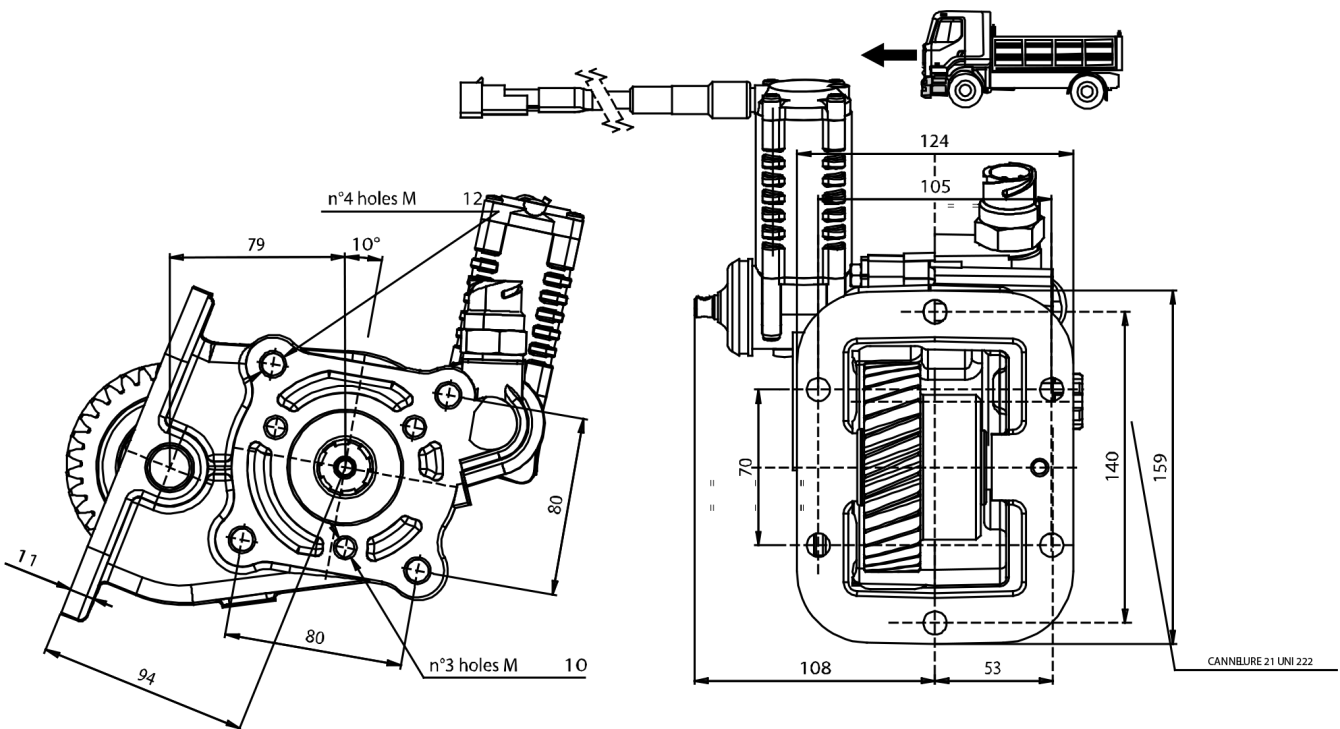
	Output 1	
Torque (Nm)	120	
Int. ratio	1,27	
Number of axles	2	

Number of teeth	33
Module	2,45
Replace	
Replaced by	

19/09/2006

Command type

- [X] Mechanical with lever remote control (TC)
- [] Ready for electric solenoid control
- [] Mechanical with PUSH-PULL remote control
- [] Hydraulic control
- [] Depressure control
- [X] Electric control KES 5
- [] Pneumatic
- [] Constantly engaged
- [] Ready for detached control



Interpump Hydraulics Spa a socio unico - **Business Unit PZB**

Sede Legale: via A. Mingozzi, 6 • 40012 Calderara di Reno BO - Italy

Sede Operativa: via A. Mingozzi, 6 • 40012 Calderara di Reno BO - Italy • T +39 051 6460511 • F +39 051 6460560 • info@pzbitaly.com • pzbitaly.com

Cap. Soc. Euro 2.631.600,00 i.v. • N. Mecc. BO 056383 • R.E.A. BO 444225 • C.F. 00883010241 • P.Iva IT02128140361

Soggetta ad attività di Direzione e Coordinamento da parte di Interpump Group Spa

