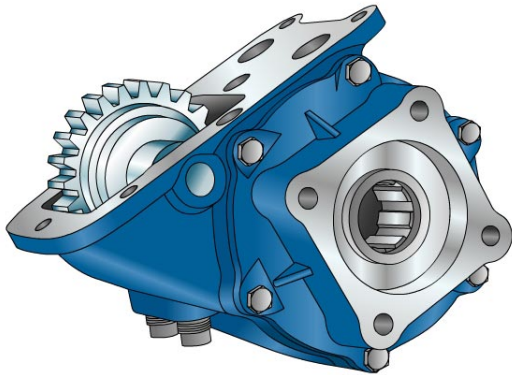




PZB®

D01P-0-03 - Pagina WebPTO PZB - rev. 0

32913



32913 **XX** **Y** **ZZZ**

Outlet version
Available option
Control option
Model

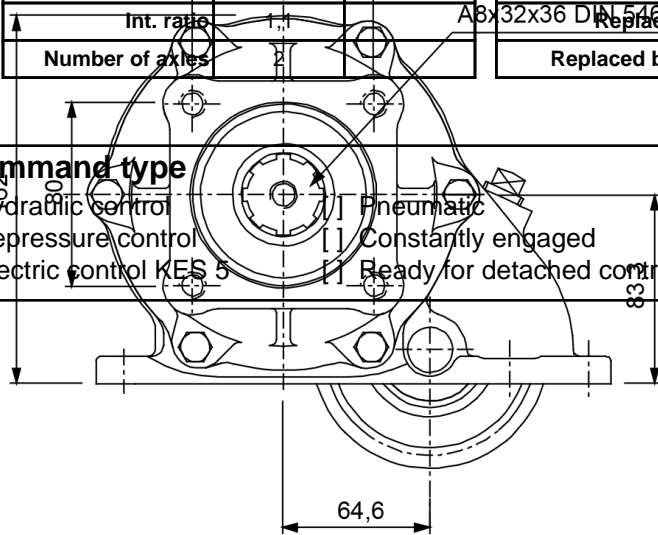
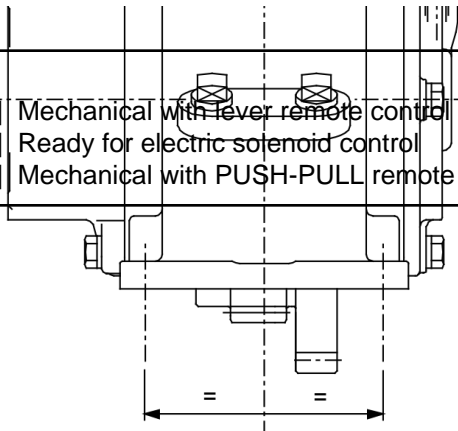
G 1/8"

AIR	Outlet 1	Number of teeth	23
Torque (Nm)	350	Module	4,23
Int. ratio	1,1	Replace	A8x32x36 DIN 5162
Number of axes	2	Replaced by	

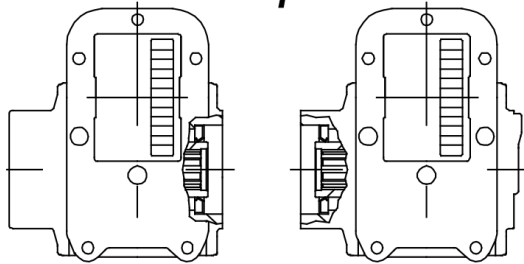
12/10/2006

Command type

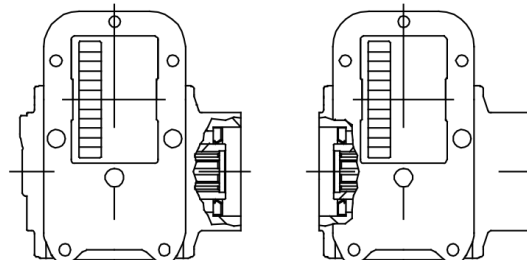
- Mechanical with lever remote control (TC)
- Ready for electric solenoid control
- Mechanical with PUSH-PULL remote control
- Hydraulic control
- Depressure control
- Electric control KES 5
- Pneumatic
- Constantly engaged
- Ready for detached control



1



POSIZIONE INGRANAGGIO
GEAR POSITION



2

