



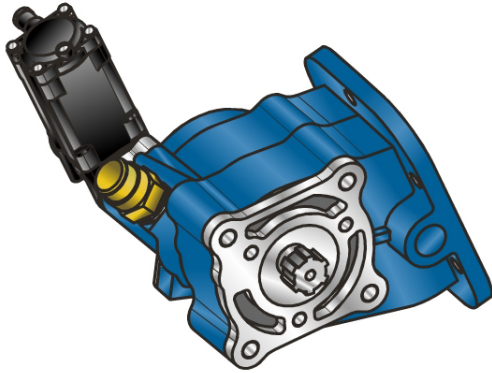
PZB®

D01P-0-03 - Pagina WebPTO PZB - rev. 0

32856



#PTO LAT. L. D. NISSAN M5-35



32856 **XX** **Y** **ZZZ**

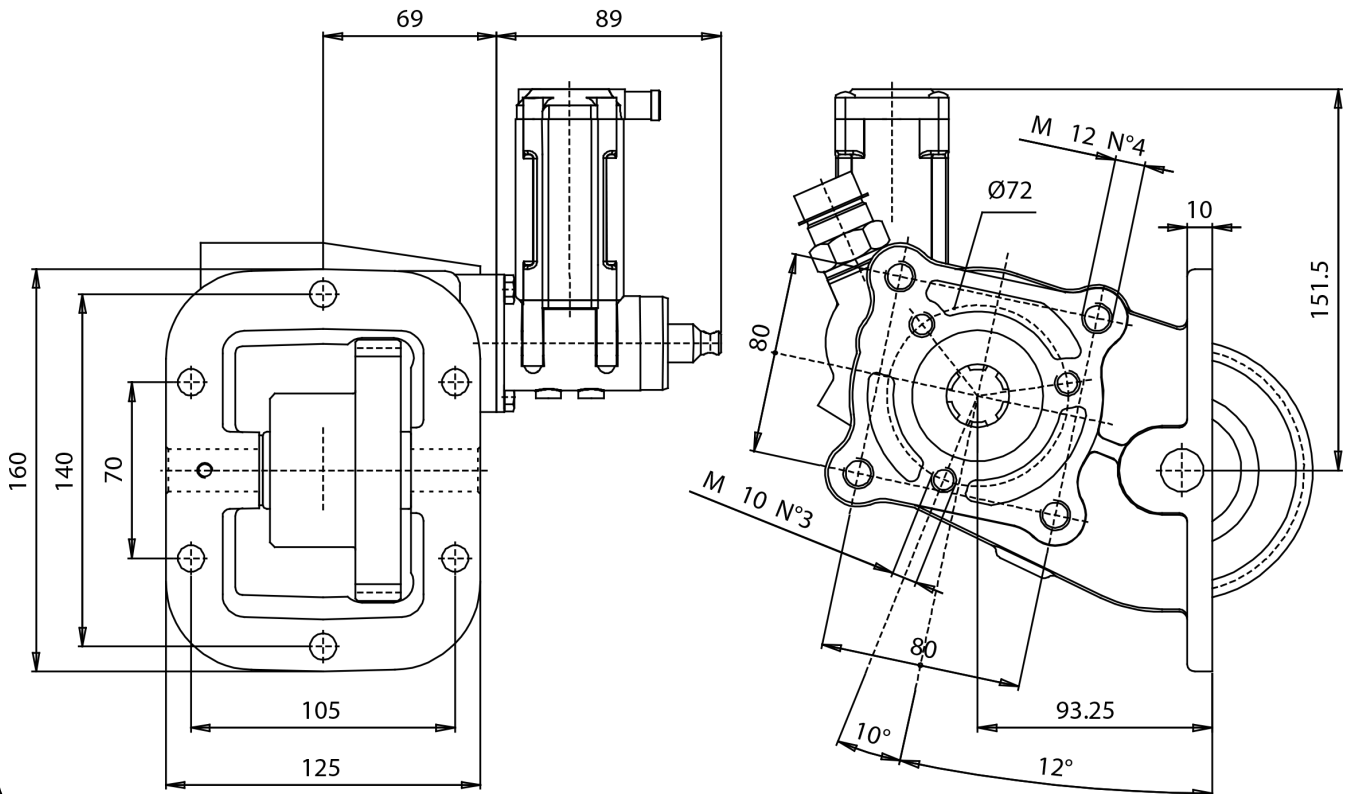
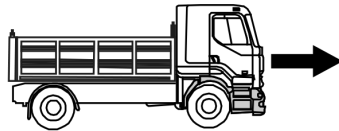
Outlet version
Available option
Control option
Model

| | | | | |
|------------------------|-----------------|--|------------------------|----|
| | Output 1 | | Number of teeth | 28 |
| Torque (Nm) | 170 | | Module | 3 |
| Int. ratio | 1,4 | | Replace | |
| Number of axles | 2 | | Replaced by | |

05/09/2007

Command type

- [X] Mechanical with lever remote control (TC) [] Hydraulic control [] Pneumatic
- [] Ready for electric solenoid control [] Depressure control [] Constantly engaged
- [] Mechanical with PUSH-PULL remote control [X] Electric control KES 5 [] Ready for detached control



Interpump Hydraulics Spa a socio unico - **Business Unit PZB**

Sede Legale: via A. Mingozzi, 6 • 40012 Calderara di Reno BO - Italy

Sede Operativa: via A. Mingozzi, 6 • 40012 Calderara di Reno BO - Italy • T +39 051 6460511 • F +39 051 6460560 • info@pzbitaly.com • pzbitaly.com

Cap. Soc. Euro 2.631.600,00 i.v. • N. Mecc. BO 056383 • R.E.A. BO 444225 • C.F. 00883010241 • P.Iva IT02128140361

Soggetta ad attività di Direzione e Coordinamento da parte di Interpump Group Spa

