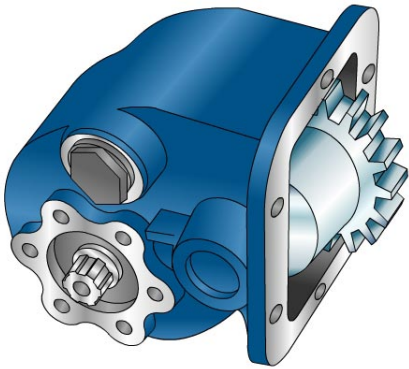




PZB®

D01P-0-03 - Pagina WebPTO PZB - rev. 0

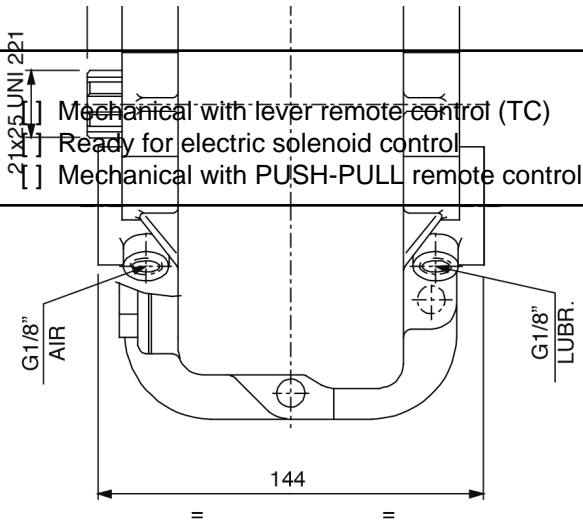
32640



32640 **XX** **Y** **ZZZ**

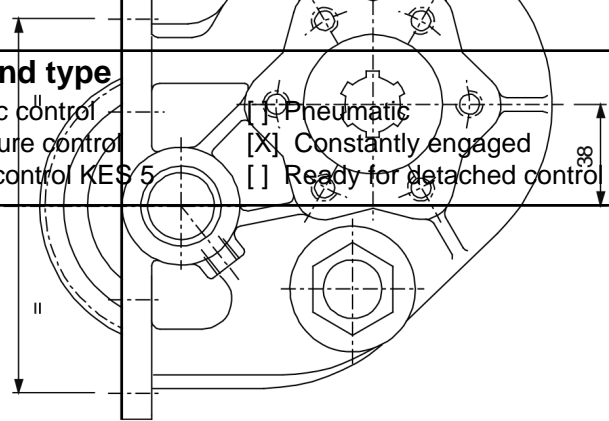
Outlet version
Available option
Control option
Model

	Output 1		Number of teeth	24
Torque (Nm)	250	→	Module	4,23
Int. ratio	0,43		Replace	
Number of axles	2		Replaced by	



Command type

- Mechanical with lever remote control (TC)
- Ready for electric solenoid control
- Mechanical with PUSH-PULL remote control
- Hydraulic control
- Depressure control
- Electric control KES 5
- Pneumatic
- Constantly engaged
- Ready for detached control



12/10/2006

