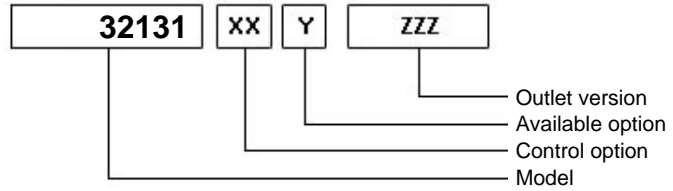
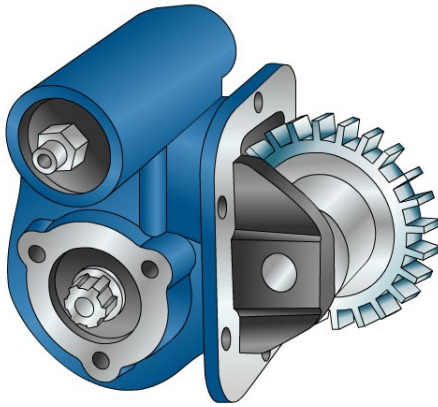




PZB®

D01P-0-03 - Pagina WebPTO PZB - rev. 0

32131



	Output 1		Number of teeth	25
Torque (Nm)	250		Module	4,23
Int. ratio	1,32		Replace	
Number of axles	2		Replaced by	

07/02/2007

Command type

- Mechanical with lever remote control (TC)
- Ready for electric solenoid control
- Mechanical with PUSH-PULL remote control
- Hydraulic control
- Depressure control
- Electric control KES 5
- Pneumatic
- Constantly engaged
- Ready for detached control

